

# BLACK MAX

**CUSTOMER SERVICE**

**SERVICE CLIENTELE**

**SERVICIO AL CLIENTE**

**USA/Canada: 1-800-726-5760**

**Mexico: 01-55-5565-1414**

**www.blackmaxtools.com**

## OPERATOR'S MANUAL

MANUEL DE L'OPÉRATEUR

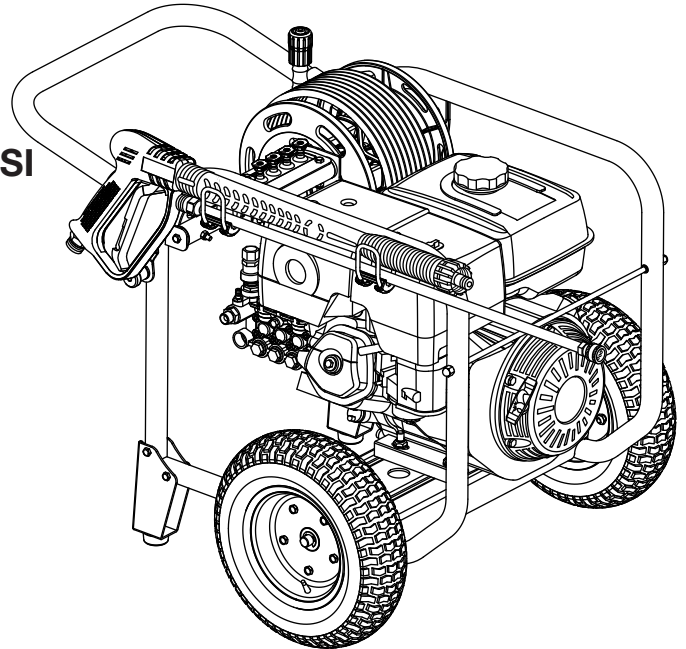
MANUAL DEL OPERADOR

### 4000 PSI PRESSURE WASHER

NETTOYEUR HAUTE PRESSION DE 4 000 PSI

LAVADORA A PRESIÓN DE 4 000 PSI

**BM80917**



**To register your Black Max product, please visit:**  
**[www.blackmaxtools.com](http://www.blackmaxtools.com)**

**Pour enregistrer votre produit de Black Max,**  
**s'il vous plaît la visite: [www.blackmaxtools.com](http://www.blackmaxtools.com)**

**Para registrar su producto de Black Max,**  
**por favor visita: [www.blackmaxtools.com](http://www.blackmaxtools.com)**

Your pressure washer has been engineered and manufactured to our high standard for dependability, ease of operation, and operator safety. When properly cared for, it will give you years of rugged, trouble-free performance.

**⚠ WARNING:** To reduce the risk of injury, the user must read and understand the operator's manual before using this product.

Thank you for your purchase.

## SAVE THIS MANUAL FOR FUTURE REFERENCE

Ce nettoyeur haute pression a été conçu et fabriqué conformément aux strictes normes de fiabilité, simplicité d'emploi et sécurité d'utilisation. Correctement entretenu, il vous donnera des années de fonctionnement robuste et sans problème.

**⚠ AVERTISSEMENT :** Pour réduire les risques de blessures, l'utilisateur doit lire et veiller à bien comprendre le manuel d'utilisation avant d'utiliser ce produit.

Merci de votre achat.

**CONSERVER CE MANUEL POUR  
FUTURE RÉFÉRENCE**

Su lavadora de presión ha sido diseñada y fabricada de conformidad con las estrictas normas para brindar fiabilidad, facilidad de uso y seguridad para el operador. Con el debido cuidado, le brindará muchos años de sólido y eficiente funcionamiento.

**⚠ ADVERTENCIA:** Para reducir el riesgo de lesiones, el usuario debe leer y comprender el manual del operador antes de usar este producto.

Le agradecemos su compra.

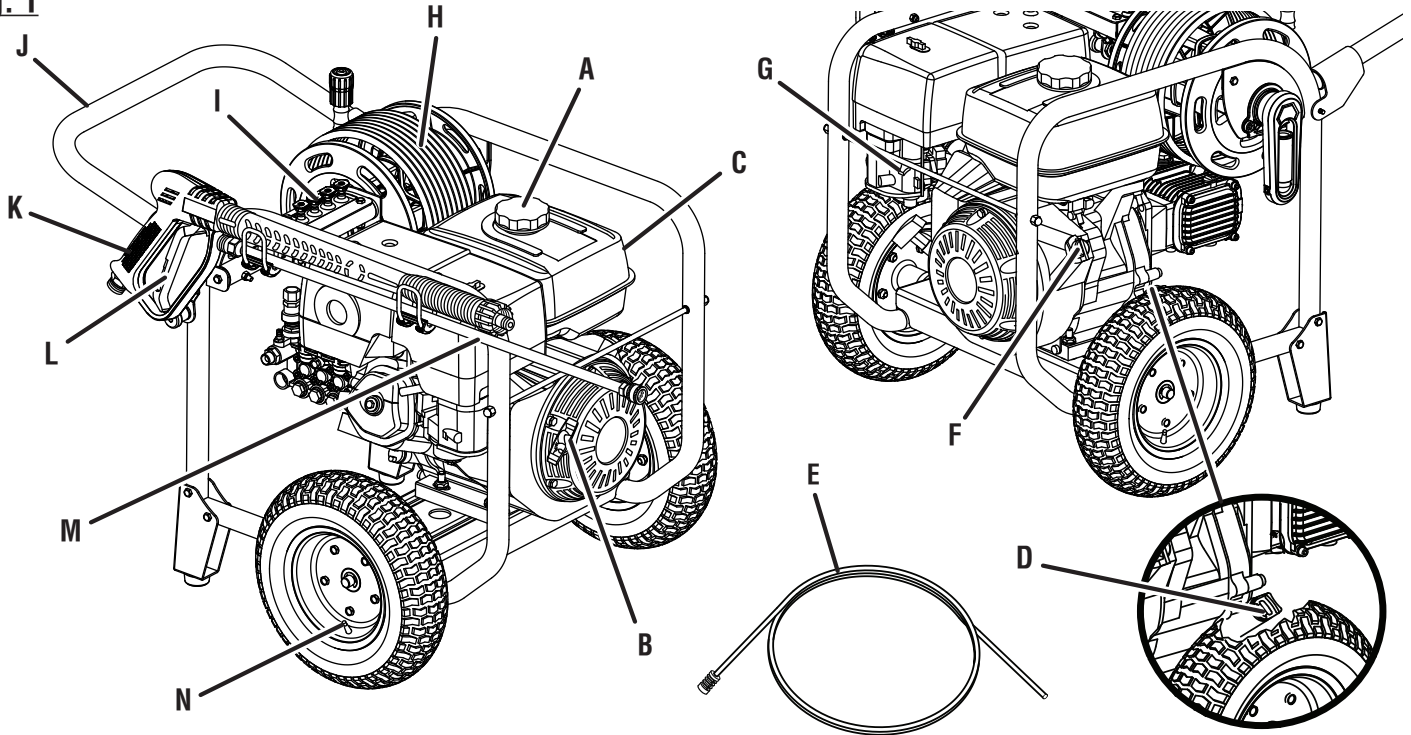
**GUARDE ESTE MANUAL PARA  
FUTURAS CONSULTAS**

See this fold-out section for all of the figures referenced in the operator's manual.

Consulter l'encart à volets afin d'examiner toutes les figures mentionnées dans le manuel d'utilisation.

Consulte esta sección desplegable para ver todas las figuras a las que se hace referencia en el manual del operador.

**Fig. 1**

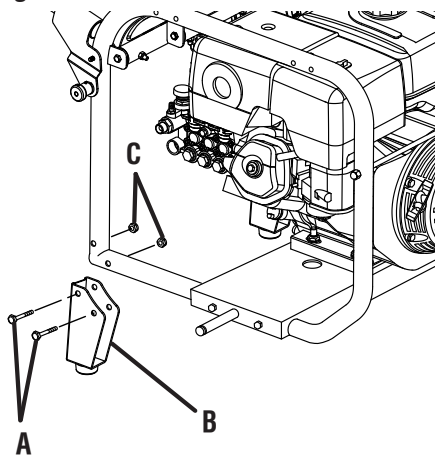


- A - Fuel cap (bouchon de carburant, tapa del combustible)
- B - Recoil starter (lanceur à rappel, arrancador retráctil)
- C - Fuel tank (réservoir de carburant, tanque de combustible)
- D - Oil cap/dipstick (bouchon/jauge d'huile, tapa del aceite con varilla de nivel)
- E - Injection hose (d'injection transparent, manguera de inyección)

- F - Engine switch (commutateur du moteur, interruptor del motor)
- G - Choke (volet de départ, anegador)
- H - High pressure hose (manguera de alta presión)
- I - Nozzle storage (buses et rangement de buse, boquillas y compartimentos para boquillas)
- J - Transport handle (poignée de transport, mango para transporte)

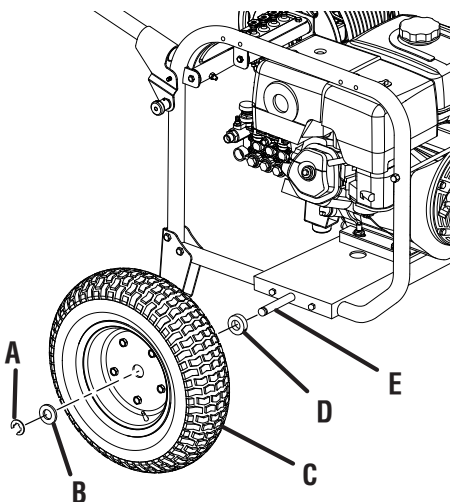
- K - Trigger handle (poignée de gâchette, mango del gatillo)
- L - Trigger with lock out (gâchette avec verouillage, gatillo con seguro)
- M - Spray wand (lance de pulvérisation, tubo de rociado)
- N - Valve stem (tige de la soupape, vástago de válvula)

**Fig. 2**



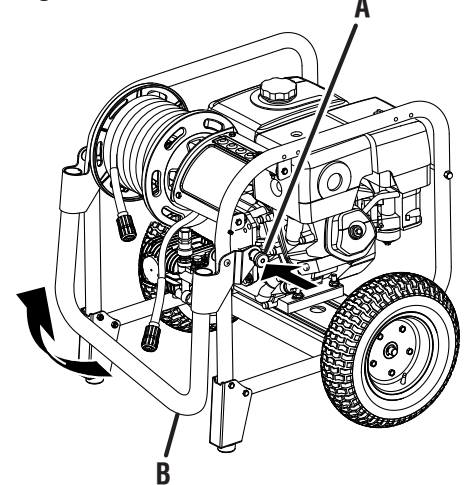
- A - Bolts (boulons, pernos)
- B - Foot bracket (support de pied, soporte del pie)
- C - Lock nuts (écrous frein, tuercas de bloqueo)

**Fig. 3**



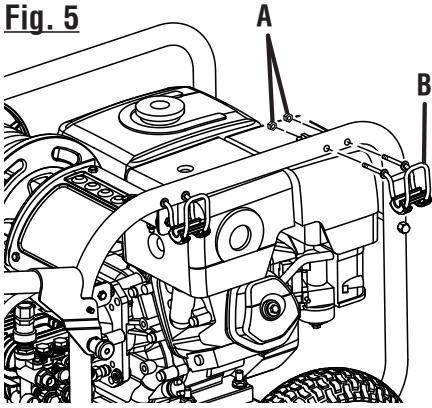
- A - E-clip (agrafe en E, clip "E")
- B - Washers (rondelles, arandelas)
- C - Wheel (roue, rueda)
- D - Spacer (écarteur, espaciador)
- E - Axle (essieu, eje)

**Fig. 4**



- A - Handle lock pin (goupille de blocage de la poignée, pasador de seguro del mango)
- B - Transport handle (poignée de transport, mango para transporte)

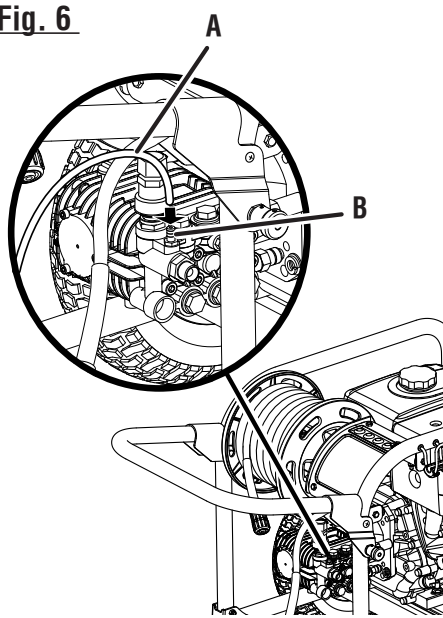
**Fig. 5**



A - Flange nut (écrou à épaulement, tuerca de brida)

B - Spray wand storage bracket (support de rangement de la lance d'arrosage, soporte para guardar el tubo rociador)

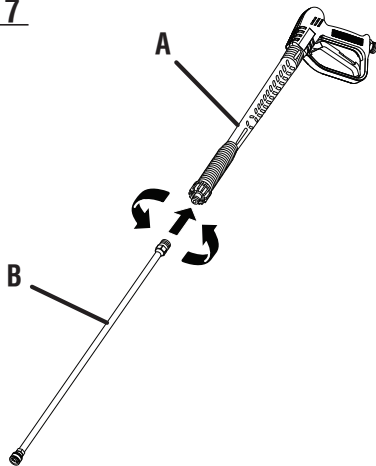
**Fig. 6**



A - Injection hose (d'injection transparent, inyección transparente)

B - Fitting (raccord, conector anillado)

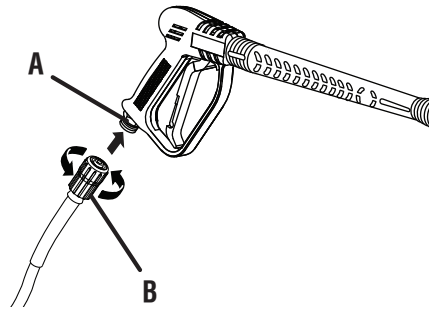
**Fig. 7**



A - Trigger handle (poignée de gâchette, mango del gatillo)

B - Spray wand (lance de pulvérisation, tubo de rociado)

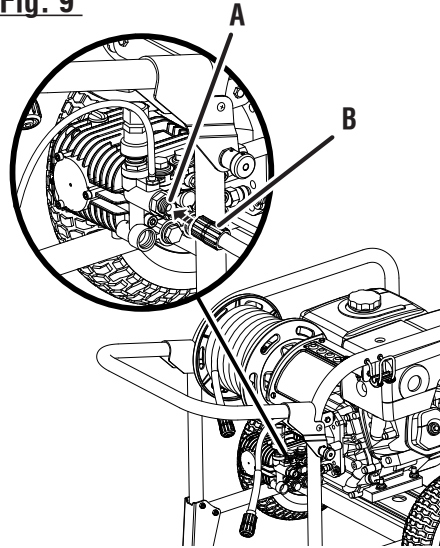
**Fig. 8**



A - Coupler (coupleur, acoplador)

B - Collar (colier, casquillo)

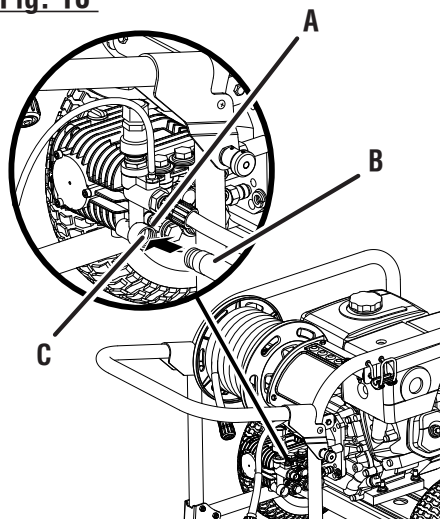
**Fig. 9**



A - Threaded nipple (têton fileté, conexión roscada)

B - Collar (colier, casquillo)

**Fig. 10**

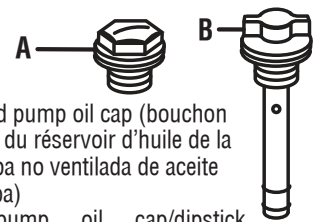


A - Water intake (rise d'eau, entrada de agua)

B - Garden hose (tuyau d'arrosage, manguera de jardín)

C - Screen (tamis, cedazo)

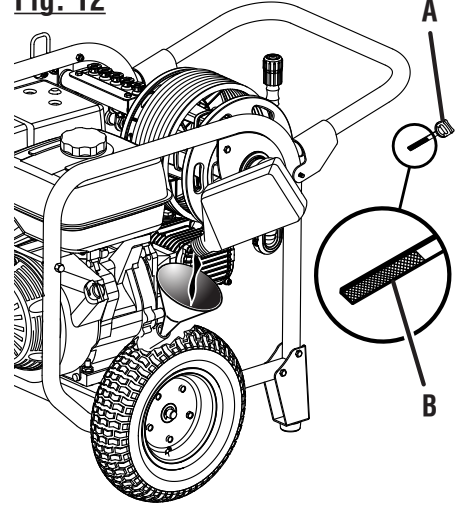
**Fig. 11**



A - Non-vented pump oil cap (bouchon sans évent du réservoir d'huile de la pompe, tapa no ventilada de aceite de la bomba)

B - Vented pump oil cap/dipstick (bouchon/jauge à évent du réservoir d'huile de la pompe, tapa ventilada de aceite de la bomba con varilla de nivel)

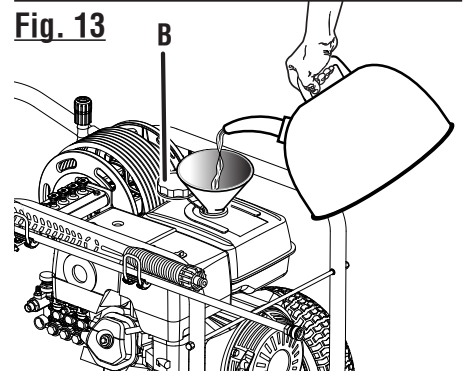
**Fig. 12**



A - Oil cap/dipstick (bouchon du réservoir d'huile/jauge d'huile, tapa del aceite con varilla de nivel)

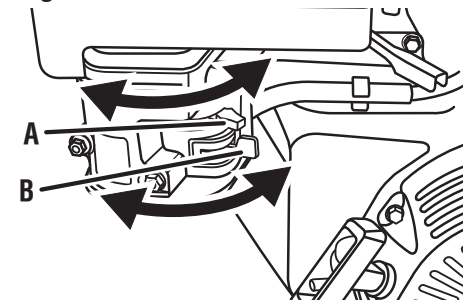
B - Dipstick (jauge, varilla de nivel de aceite)

**Fig. 13**



A - Fuel cap (bouchon de carburant, tapa del tanque)

**Fig. 14**

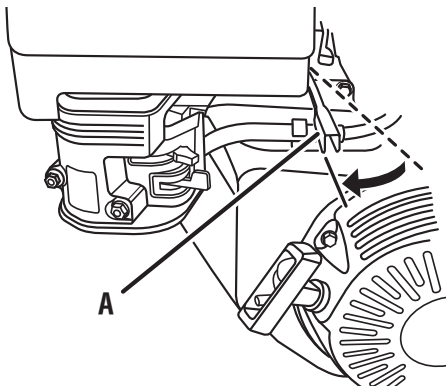


A - Choke lever (levier de volet de départ, palanca del anegador)

B - Fuel valve lever (levier de robinet de carburant, palanca de válvula de combustible)

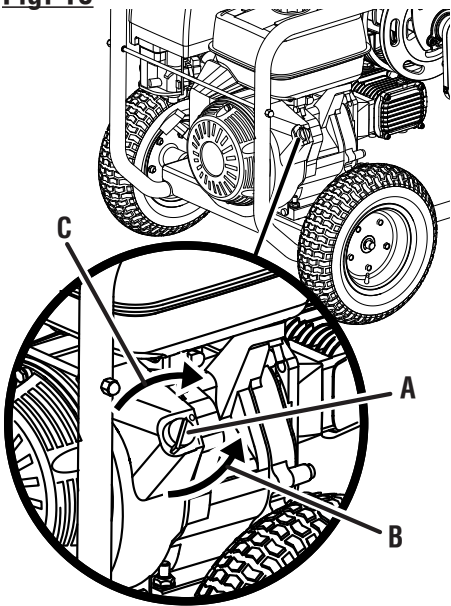


**Fig. 15**



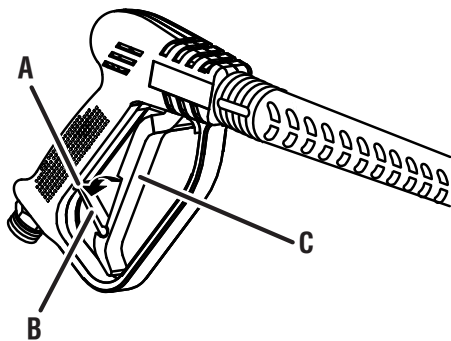
A - Throttle adjustment lever (levier de réglage de l'accélération, palanca de ajuste del acelerador)

**Fig. 16**



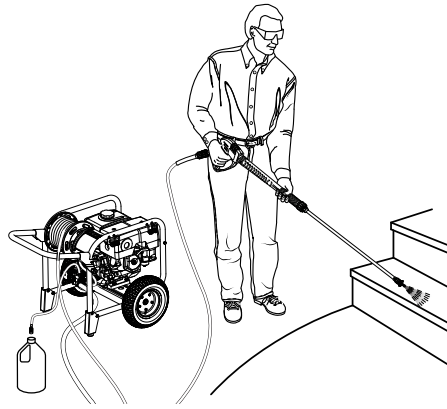
A - Switch (Interrupteur, interruptor)  
B - Off (arrêt, apagado)  
C - On (marche, encendido)

**Fig. 17**

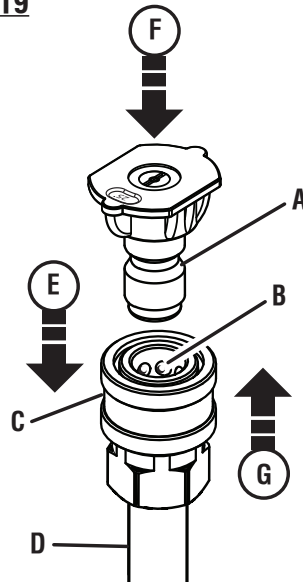


A - Slot (fente, ranura)  
B - Lock-out (verrouillage, seguro)  
C - Trigger (gâchette, gatillo)

**Fig. 18**

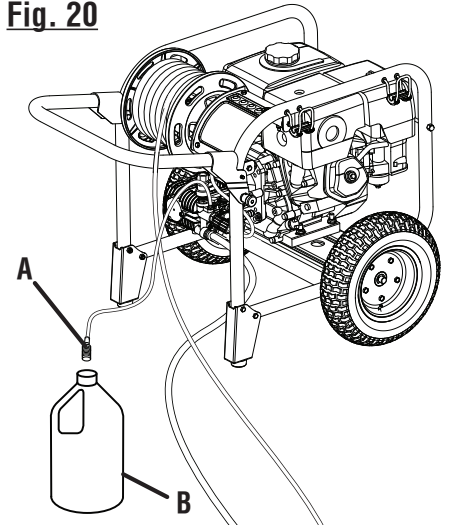


**Fig. 19**



A - Nozzle (embout, boquilla)  
B - "Click" (déclic, hasta que trabe)  
C - Quick-connect collar (casquillo de conexión rápida)  
D - Spray wand (lance de pulvérisation, tubo de rociador)  
E - Pull back the quick-connect collar (tirer la bague à connexion rapide, tire del collar de conexión rápida)  
F - Push the nozzle into place (insérer en place la buse, introduzca la boquilla en su lugar)  
G - Push the collar forward (poussez en avant la bague, empueje del collar adelante)

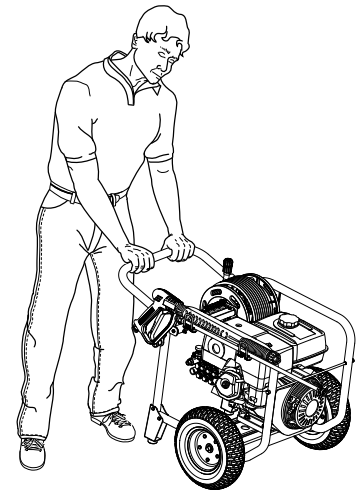
**Fig. 20**



A - Injection hose (d'injection transparent, inyección transparente)  
B - Detergent bottle (flacon à détergent, botella del detergente)

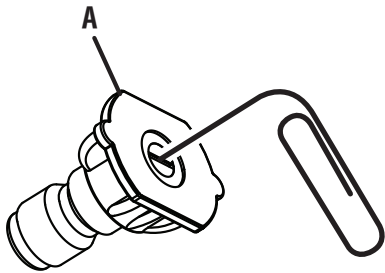
**Fig. 21**

**TO MOVE THE MACHINE  
DÉPLACEMENT DE LA MACHINE  
PARA MOVER LA MÁQUINA**



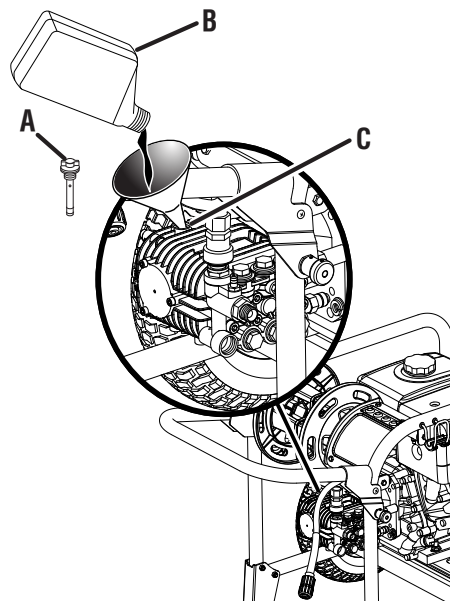


**Fig. 22**



- A - Nozzle (embout, boquilla)  
B - Straightened paper clip (trombone droit, clip para papel abierto)
- 

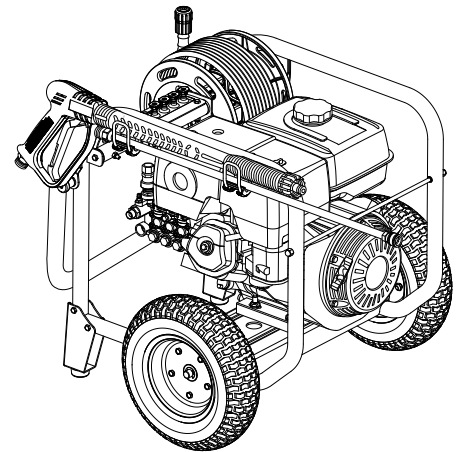
**Fig. 23**



- A - Pump oil cap/dipstick (bouchon/jauge du réservoir d'huile de la pompe, tapa de aceite de la bomba con varilla de nivel)  
B - Universal tractor transmission lubricant (lubrifiant de transmission universelle pour tracteurs, lubricante universal de transmisión para tractores)  
C - Pump oil fill hole (orifice de remplissage d'huile de la pompe, agujero de llenado de aceite de la bomba)
- 

**Fig. 24**

**TO STORE THE MACHINE  
REMISAGE DE LA MACHINE  
PARA GUARDAR LA MÁQUINA**



# TABLE OF CONTENTS

## TABLE DES MATIÈRES / ÍNDICE DE CONTENIDO

■ Introduction .....	2
Introduction / Introducción	
■ Important Safety Instructions .....	3
Instructions importantes concernant la sécurité / Instrucciones de seguridad importantes	
■ Specific Safety Rules.....	4
Règles de sécurité particulières / Reglas de seguridad específicas	
■ Symbols.....	5-6
Symboles / Símbolos	
■ Features.....	6
Caractéristiques / Características	
■ Assembly.....	7-8
Assemblage / Armado	
■ Operation.....	9-11
Utilisation / Funcionamiento	
■ Maintenance.....	12-13
Entretien / Mantenimiento	
■ Troubleshooting .....	14
Dépannage / Solución de problemas	
■ Warranty .....	15
Garantie / Garantía	
■ Parts Ordering and Service .....	18
Commande de pièces et réparation / Pedidos de piezas y servicio	

## INTRODUCTION

### INTRODUCTION / INTRODUCCIÓN

This product has many features for making its use more pleasant and enjoyable. Safety, performance, and dependability have been given top priority in the design of this product making it easy to maintain and operate.

\* \* \*

Ce produit offre de nombreuses fonctions destinées à rendre son utilisation plus plaisante et satisfaisante. Lors de la conception de ce produit, l'accent a été mis sur la sécurité, les performances et la fiabilité, afin d'en faire un outil facile à utiliser et à entretenir.

\* \* \*

Este producto ofrece numerosas características para hacer más agradable y placentero su uso. En el diseño de este producto se ha conferido prioridad a la seguridad, el desempeño y la fiabilidad, por lo cual se facilita su manejo y mantenimiento.

# IMPORTANT SAFETY INSTRUCTIONS

## **WARNING:**

**Read and understand all instructions.** Failure to follow all instructions listed below may result in electric shock, fire and/or carbon monoxide poisoning which will cause death or serious personal injury.

## **READ ALL INSTRUCTIONS**

- **Know your tool.** Read the operator's manual carefully. Learn the machine's applications and limitations as well as the specific potential hazards related to this tool.
- **Keep guards in place** and in working order. Never operate the tool with any guard or cover removed. Make sure all guards are operating properly before each use.
- **Remove adjusting keys and wrenches.** Form habit of checking to see that keys and adjusting wrenches are removed from tool before turning it on.
- **To reduce the risk of injury,** keep children and visitors away. All visitors should wear safety glasses and be kept a safe distance from work area.
- **Keep the area of operation clear of all persons,** particularly small children, and pets.
- **Do not operate the engine in a confined space** where dangerous carbon monoxide fumes can collect. Carbon monoxide, a colorless, odorless, and extremely dangerous gas, can cause unconsciousness or death.
- **Use right tool.** Don't force tool or attachment to do a job it was not designed for. Don't use it for a purpose not intended.
- **Dress properly.** Do not wear loose clothing, gloves, neckties, or jewelry. They can get caught and draw you into moving parts. Rubber gloves and nonskid footwear are recommended when working outdoors. Also wear protective hair covering to contain long hair.
- **Do not operate the equipment while barefoot or when wearing sandals or similar lightweight footwear.** Wear protective footwear that will protect your feet and improve your footing on slippery surfaces.
- **Exercise caution to avoid slipping or falling.**
- **Always wear safety glasses with side shields.** Everyday eyeglasses have only impact-resistant lenses; they are **NOT** safety glasses.
- **Don't overreach or stand on unstable support.** Keep proper footing and balance at all times.
- **Use only recommended accessories.** The use of improper accessories may cause risk of injury.
- **Follow the maintenance instructions specified in this manual.**
- **Check damaged parts.** Before further use of the tool, a guard or other part that is damaged should be carefully checked to determine that it will operate properly and perform its intended function. Check for alignment of moving parts, binding of moving parts, breakage of parts, mounting, and any other conditions that may affect its operation. A guard or other part that is damaged must be properly repaired or replaced by an authorized service center to avoid risk of personal injury.
- **Never leave tool running unattended. Turn power off.** Don't leave tool until it comes to a complete stop.
- **Keep the engine free of grass, leaves, or grease** to reduce the chance of a fire hazard.
- **Keep the exhaust pipe free of foreign objects.**
- **Follow manufacturer's recommendations for safe loading, unloading, transport, and storage of machine.**
- **Be thoroughly familiar with controls.** Know how to stop the product and bleed pressure quickly.
- **Keep tool dry, clean, and free from oil and grease.** Always use a clean cloth when cleaning. Never use brake fluids, gasoline, petroleum-based products, or any solvents to clean tool.
- **Stay alert and exercise control.** Watch what you are doing and use common sense. Do not operate tool when you are tired. Do not rush.
- **Do not operate the product while under the influence of drugs, alcohol, or any medication.**
- **Check the work area before each use.** Remove all objects such as rocks, broken glass, nails, wire, or string which can be thrown or become entangled in the machine.
- **Do not use tool if switch does not turn it off.** Have defective switches replaced by an authorized service center.
- **Before cleaning, repairing, or inspecting,** shut off the engine and make certain all moving parts have stopped. Disconnect the spark plug wire, and keep the wire away from the plug to prevent accidental starting.
- **Avoid dangerous environment.** Don't use in damp or wet locations or expose to rain. Keep work area well lit.
- **Never use in an explosive atmosphere.** Normal sparking of the motor could ignite fumes.
- **Do not operate while smoking or near an open flame.**
- **Do not operate around dry brush, twigs, cloth rags, or other flammable materials.**
- **WARNING: Risk of injection or injury** – Do not direct discharge stream at persons.






## SPECIFIC SAFETY RULES










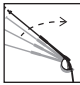
- **Never direct a water stream toward people or pets, or any electrical device.**
- **Before starting any cleaning operation,** close doors and windows. Clear the area to be cleaned of debris, toys, outdoor furniture, or other objects that could create a hazard.
- **Never pick up or carry a machine while the engine is running.**
- **Never start the machine** if ice has formed in any part of the equipment.
- **Do not use acids, alkalines, solvents, flammable material, bleaches, or industrial grade solutions** in this product. These products can cause physical injuries to the operator and irreversible damage to the machine.
- **Always operate the machine** on a level surface. If the engine is on an incline, it could seize due to improper lubrication (even at the maximum oil level).
- **WARNING: High pressure jets can be dangerous if subject to misuse.** The jet must not be directed at persons, animals, electrical devices, or the machine itself.
- **Never attempt to make any adjustments while the engine (motor) is running** (except where specifically recommended by the manufacturer).
- **Protective covers must always cover rotating parts when the engine is running.**
- **Keep cooling air intake** (recoil starter area) and muffler side of the engine at least 3 feet away from buildings, obstructions, and other combustible objects.
- **Keep the engine away from flammables and other hazardous materials.**
- **Keep away from hot parts.** The muffler and other engine parts become very hot; use caution.
- **Do not touch the spark plug and ignition cable** when starting and operating the engine.
- **Check fuel hoses and joints** for looseness and fuel leakage before each use.
- **Check bolts and nuts** for looseness before each use. A loose bolt or nut may cause serious engine problems.
- **Before inflating the tires, confirm that the bolts installed in the wheel hubs are securely tight.** The tire should be inflated only using a hand pump with inflation pressure no greater than 30 psi. Confirm the pressure of the tires during and after inflation using a reliable tire pressure gauge.
- **Always refuel outdoors.** Never refuel indoors or in a poorly ventilated area.
- **Never store the machine with fuel in the fuel tank inside a building** where ignition sources are present, such as hot water and space heaters, clothes dryers, and the like.
- **If the fuel tank has to be drained, do this outdoors.**
- **To reduce the risk of fire and burn injury,** handle fuel with care. It is highly flammable.
- **Do not smoke while handling fuel.**
- **Add fuel before starting the engine.** Never remove the cap of the fuel tank or add fuel while the engine is running or when the engine is hot.
- **Loosen fuel cap slowly** to release pressure and to keep fuel from escaping around the cap.
- **Replace all fuel tank and container caps securely.**
- **Wipe spilled fuel from the unit.** Move 30 feet away from refueling site before starting engine.
- **If fuel is spilled,** do not attempt to start the engine but move the machine away from the area of spillage and avoid creating any source of ignition until fuel vapors have dissipated.
- **Never attempt to burn off spilled fuel under any circumstances.**
- **Before storing, allow the engine to cool.**
- **Store fuel in a cool, well-ventilated area,** safely away from spark and/or flame-producing equipment.
- **Store fuel in containers** specifically designed for this purpose.
- **Empty fuel tank and restrain the unit from moving** before transporting in a vehicle.
- **When servicing use only identical replacement parts.** Use of any other parts may create a hazard or cause product damage.
- **ONLY use cold water.**
- **Make sure minimum clearance** of 3 feet is maintained from combustible materials.
- **Never spray close to the surface** to be cleaned as you can damage the surface.
- **Save these instructions.** Refer to them frequently and use them to instruct other users. If you loan someone this tool, loan them these instructions also.

# SYMBOLS

The following signal words and meanings are intended to explain the levels of risk associated with this product.



SYMBOL	SIGNAL	MEANING
	<b>DANGER:</b>	Indicates an imminently hazardous situation, which, if not avoided, will result in death or serious injury.
	<b>WARNING:</b>	Indicates a potentially hazardous situation, which, if not avoided, could result in death or serious injury.
	<b>CAUTION:</b>	Indicates a potentially hazardous situation, which, if not avoided, may result in minor or moderate injury.
	<b>CAUTION:</b>	(Without Safety Alert Symbol) Indicates a situation that may result in property damage.

Some of the following symbols may be used on this product. Please study them and learn their meaning for safe operation of this product.

SYMBOL	NAME	EXPLANATION
	Safety Alert	Indicates a potential personal injury hazard.
	Wet Conditions Alert	Do not expose to rain or use in damp locations.
	Read The Operator's Manual	To reduce the risk of injury, user must read and understand operator's manual before using this product.
	Eye Protection	Always wear safety goggles or safety glasses with side shields and, as necessary, a full face shield when operating this product.
	Hot Surface	To reduce the risk of injury or damage, avoid contact with any hot surface.
	Risk of Injections	To reduce the risk of injection or injury, never direct a water stream towards people or pets or place any body part in the stream. Leaking hoses and fittings are also capable of causing injection injury. Do not hold hoses or fittings.
	Risk of Explosion	Fuel and its vapors are explosive and can cause severe burns or death.
	Risk of Fire	Fuel and its vapors are extremely flammable and explosive. Fire can cause severe burns or death.
	Toxic Fumes	Gas products emit carbon monoxide, an odorless, colorless, poison gas. Breathing carbon monoxide can cause nausea, fainting, or death.
	Kickback	To reduce the risk of injury from kickback, hold the spray wand securely with both hands when the machine is on.

# SYMBOLS

Some of the following symbols may be used on this product. Please study them and learn their meaning for safe operation of this product.

SYMBOL	NAME	EXPLANATION
	Electric Shock	Failure to use in dry conditions and to observe safe practices can result in electric shock.
	Chemical Burns	To reduce the risk of injury or damage, DO NOT USE ACIDS, ALKALINES, BLEACHES, SOLVENTS, FLAMMABLE MATERIAL, OR INDUSTRIAL GRADE SOLUTIONS in this product.

# FEATURES

## PRODUCT SPECIFICATIONS

Engine.....	Honda GX390
Fuel Tank Capacity.....	1.61 gal
Maximum Pounds Per Square Inch Pressure* .....	4,000 psi
Maximum Gallons Per Minute* .....	4.0 gpm
Maximum Inlet Water Temperature .....	104°F

\*Max rating determined by PWMA Standard 101, when tested with red nozzle

## KNOW YOUR PRESSURE WASHER

See Figure 1.

The safe use of this product requires an understanding of the information on the product and in this operator's manual as well as a knowledge of the project you are attempting. Before use of this product, familiarize yourself with all operating features and safety rules.

### ENGINE SWITCH

The engine switch is used in combination with the recoil starter grip to start the engine. It is also used to turn the engine off.

### FUEL TANK

This fuel tank has a maximum capacity of 1.61 gal. Use unleaded automotive gasoline in the engine.

### HONDA GX390 ENGINE

This Honda engine enables the pressure washer to achieve 4,000 psi (pounds per square inch) at a rate of 4.0 gpm (gallons per minute). Please read the engine manual included with this product.

### HOSE STORAGE REEL

The hose storage reel provides quick and easy storage of the high pressure hose when not in use.

## PRESSURE RELIEF VALVE

The pressure relief valve prevents unsafe pressure levels from building up in the pressure washer. It is not uncommon to notice occasional drips from the valve.

## RECOIL STARTER

The recoil starter is pulled to start the machine.

## SPARK ARRESTOR

This engine is not factory equipped with a spark arrestor. In some areas it is illegal to operate an engine without a spark arrestor. A spark arrestor is available by calling customer service for assistance.

## THERMAL RELIEF VALVE

This pump feature will prevent water temperatures from reaching harmful levels by releasing a small amount of water from a plastic cap. Once the water has drained, the thermal relief valve will reset itself.

## TRIGGER HANDLE

The trigger handle has a gripping surface that provides added control of the spray wand and helps reduce fatigue.

## TRIGGER WITH LOCK OUT

Pulling the trigger releases a stream of water for high pressure cleaning. The lock out provides protection against unauthorized use.



# ASSEMBLY

## UNPACKING

This product requires assembly.

- Carefully cut the box down the sides then remove the product and any accessories from the box. Make sure that all items listed in the packing list are included.

**NOTE:** This product is heavy. To avoid back injury, lift with your legs, not your back, and get help when needed.

### **WARNING:**

This new product has been shipped in a partially assembled condition as described below. Carefully check the packing list below to ensure all items are included in the package. The packing list describes all loose items that are not assembled to the product as shipped. Do not operate the product if any packing list items are already assembled to your product when you unpack it. Call the customer service number below for assistance. Operation of a product that may have been improperly pre-assembled could result in serious personal injury.

- Inspect the product carefully to make sure no breakage or damage occurred during shipping.
- Do not discard the packing material until you have carefully inspected and satisfactorily operated the product.
- If any parts are damaged or missing, please call 1-800-726-5760 for assistance.

## PACKING LIST

Pressure Washer with Hose and Reel Assembly  
Trigger Handle  
Spray Wand  
Wheels (2)  
Feet Brackets (2)  
Bolts (4)  
Nuts (4)  
Axle  
Washers (2)  
Spacers (2)  
E-clips (2)  
Spray Wand Storage Brackets (2)  
Flange Nuts (4)  
Quick-connect Nozzles (5)  
Injection Hose with Injection Hose Filter  
Vented pump oil cap/dipstick  
4-Cycle Engine Oil (SAE 30 or SAE 10W30)  
Operator's Manual

### **WARNING:**

If any parts are damaged or missing do not operate this product until the parts are replaced. Use of this product with damaged or missing parts could result in serious personal injury.

### **WARNING:**

Do not attempt to modify this product or create accessories not recommended for use with this product. Any such alteration or modification is misuse and could result in a hazardous condition leading to possible serious personal injury.

### **WARNING:**

To prevent accidental starting that could cause serious personal injury, always disconnect the engine spark plug wire from the spark plug when assembling parts.

**NOTE:** Do not put fuel or lubricant in the pressure washer before installing the feet and wheels.

## INSTALLING FEET BRACKETS

See Figure 2.

- Locate the following items:  
2 feet brackets, 4 nuts, 4 bolts
- Raise the end of the pressure washer opposite the recoil starter high enough to gain access to the frame bottom; securely position props underneath to support.
- Insert bolt through foot bracket, then through frame as shown.
- Install nut and tighten securely.
- Repeat the process on the other side to install second foot bracket.

## INSTALLING THE WHEELS

See Figure 3.

- Locate the following items:  
Axle, 2 washers, 2 spacers, 2 wheels, 2 e-clips
- Raise the end of the pressure washer where the recoil starter is located high enough to gain access to the frame bottom; securely position props underneath to support.
- Install the axle through the pressure washer frame.
- Place a spacer on the axle.
- Slide wheel onto axle with valve stem facing out.
- Slide washer onto axle, then secure with e-clip.
- Repeat the process on the other side to install second wheel.

## INFLATING THE TIRES

After installing the wheels, use a good quality tire pressure gauge to check for proper tire inflation.

- Unscrew the plastic cap on the air valve and set aside.
- Press the tire pressure gauge against the valve and hold it down firmly. If you hear a hissing noise, press down harder until the noise stops.

# ASSEMBLY

- Read the gauge and add air using a hand pump if needed. The maximum tire inflation for this product is 30 psi.

## **WARNING:**

To reduce the risk of injury, do not over-inflate the tires of this unit. During inflation regularly check the pressure using a reliable tire pressure gauge, and never exceed 30 psi. Always ensure the bolts in the wheel hubs are securely tight before adding pressure to the tire.

**NOTE:** The tires should be inflated using a hand pump only. Do not use an air compressor.

## SECURING THE HANDLE

See Figure 4.

- Pull out the handle lock pin.
- Lift the transport handle and release the handle lock pin to secure.
- **To lower:** lift transport handle slightly and pull out the handle lock pin to release.

## INSTALLING SPRAY WAND STORAGE BRACKETS

See Figure 5.

- Place the threaded shaft of the storage bracket through the holes in the pressure washer frame.
- Install two flange nuts and tighten to secure.
- Repeat the process to install the second bracket.

## ATTACHING INJECTION HOSE

See Figure 6.

Before detergent can be used with this machine, the injection hose must be attached.

- Push the open end of the clear injection hose securely over the fitting as shown.
- Place the filtered end of the injection hose in the bottle of detergent.

## ASSEMBLING THE TRIGGER HANDLE

See Figure 7.

- Place the threaded end of the spray wand in the connector on the end of the trigger handle.
- Turn the connector clockwise until it stops. This secures the spray wand in place.

## CONNECTING HIGH PRESSURE HOSE TO TRIGGER HANDLE

See Figure 8.

- Screw the collar on the high pressure hose into the trigger handle inlet coupler by turning the hose collar clockwise.
- Pull on the hose to be certain it is properly secured.

## CONNECTING THE HIGH PRESSURE HOSE TO THE PUMP

See Figure 9.

- Align the collar on the high pressure hose with the threaded nipple on the pump.
- Insert the end of the high pressure hose collar into the threaded nipple.
- Turn the collar clockwise to tighten the hose securely to the pump.
- Pull on the hose to be certain it is properly secured.

## CONNECTING THE GARDEN HOSE TO THE PRESSURE WASHER

See Figure 10.

The water supply must come from a clean water source (e.g. public water main or well) with the following specifications:

- 8 GPM flow rate (minimum)
- 30 PSI (minimum)

NEVER use hot water or standing water from pools, lakes, etc. Use only a reinforced, high-quality garden hose with the following requirements:

- 5/8 in. diameter hose (minimum), 3/4 in. diameter hose (recommended)
- Run water through the hose for 30 seconds to clean any debris from the hose.
- Inspect the screen in the water intake.
- If the screen is damaged, do not use the machine until the screen has been replaced.
- If the screen is dirty, clean it before connecting the garden hose to the machine.

### To connect the garden hose to the machine:

- Uncoil the garden hose.

**NOTE:** There must be a minimum of 10 feet of unrestricted hose between the pressure washer intake and the hose faucet or shut off valve (such as a “Y” shut off connector).

- With the hose faucet turned completely off, attach the end of the garden hose to the water intake. Tighten by hand.

## INSTALL PUMP OIL CAP/DIPSTICK

See Figures 11 and 23

When shipped from the factory, the pump has a non-vented cap that must be replaced before using the pressure washer. See figure 23 for the location of the cap.

- Remove the red non-vented pump oil cap installed on the pressure washer and discard.
- Install the yellow vented pump oil cap/dipstick and tighten securely.

# OPERATION

## **WARNING:**

Do not allow familiarity with this product to make you careless. Remember that a careless fraction of a second is sufficient to inflict serious injury.

## **WARNING:**

Always wear eye protection marked to comply with ANSI Z87.1. Failure to do so could result in objects being thrown into your eyes, resulting in possible serious injury.

## **WARNING:**

Do not use any attachments or accessories not recommended by the manufacturer of this product. The use of attachments or accessories not recommended can result in serious personal injury.

## **WARNING:**

Never direct a water stream toward people or pets, or any electrical device. Failure to heed this warning could result in serious injury.

## APPLICATIONS

You may use this product for the purposes listed below:

- Removing dirt and mold from decks, cement patios, and house siding
- Cleaning cars, boats, motorcycles, outdoor furniture, and grills

## ADDING/CHECKING ENGINE LUBRICANT

See Figure 12.

**NOTE:** This machine has been shipped with approximately 2 oz. of lubricant in the engine from testing. **You must add lubricant to the engine before starting it the first time.**

## **CAUTION:**

Any attempt to start the engine without adding lubricant will result in engine failure.

### To add engine lubricant:

- Place pressure washer on a flat, level surface.
- Unscrew the oil cap/dipstick by turning counter-clockwise.
- Using 4-stroke engine lubricant (SAE 30 or SAE 10W30), fill to the upper level of the oil filter neck (32 oz., 4-cycle engine lubricant provided).
- Replace the oil cap/dipstick and securely tighten.

**NOTE:** This engine has a total lubricant capacity of 1.2 qt.

### To check engine lubricant level:

- Set engine on a flat surface.
- Wipe dipstick clean and re-seat in hole; do not re-thread.
- Remove dipstick again and check lubricant level. Lubricant level should fall within the hatched area on the dipstick.
- If level is low, add engine lubricant until the fluid level rises to the upper portion of the hatched area on the dipstick.
- Replace and secure the oil cap/dipstick.

## **CAUTION:**

Do not overfill. Overfilling the crankcase may cause excessive smoke and engine damage.

## ADDING GASOLINE TO THE FUEL TANK

See Figure 13.

## **WARNING:**

Gasoline and its vapors are highly flammable and explosive. To prevent serious personal injury and property damage, handle gasoline with care. Keep away from ignition sources, handle outdoors only, do not smoke while adding fuel, and wipe up spills immediately.

When adding gas to the pressure washer, make sure the unit is sitting on a flat, level surface. If the engine is hot, let the pressure washer cool before adding gas. **ALWAYS** fill the fuel tank outdoors with the machine turned off.

**NOTE:** Use unleaded gas only. **DO NOT** mix lubricant with gas.

- Before removing the fuel cap, clean the area around it. Remove the fuel cap.
- Insert a clean funnel into the fuel tank then slowly pour gasoline into the tank. Fill tank to approximately 1-1/2 in. below the top of the tank neck (this allows for fuel expansion).
- Replace fuel cap and tighten until the cap “clicks”.
- Clean up any spills before starting the engine.

## OXYGENATED FUELS

Some conventional gasolines are blended with alcohol or an ether compound. These gasolines are collectively referred to as oxygenated fuels. To meet clean air standards, some areas of the United States and Canada use oxygenated fuels to help reduce emissions.

If using an oxygenated fuel, make sure it is unleaded and meets the minimum octane rating requirements. Before using an oxygenated fuel, try to confirm the fuel’s contents. Some states/provinces require this information to be posted on the pump. The following are the EPA approved percentages of oxygenates:



# OPERATION

**Ethanol (ethyl or grain alcohol) 10% by volume.** You may use gasoline containing up to 10% ethanol by volume. Gasoline containing ethanol may be marketed under the name "Gasohol." **Do not use E85 fuel.**

**MTBE (methyl tertiary butyl ether) 15% by volume.** You may use gasoline containing up to 15% MTBE by volume.

**Methanol (methyl or wood alcohol) 5% by volume.** You may use gasoline containing up to 5% methanol by volume as long as it also contains cosolvents and corrosion inhibitors to protect the fuel system. Gasoline containing more than 5% methanol by volume may cause starting and/or performance problems. It may also damage metal, rubber, and plastic parts of the product or your fuel system.

If you notice any undesirable operating symptoms, try another service station or switch to another brand of gasoline.

**NOTE:** Fuel system damage or performance problems resulting from the use of an oxygenated fuel containing more than the percentages of oxygenates stated previously are not covered under warranty.

## STARTING AND STOPPING THE PRESSURE WASHER

See Figures 14 - 16.

### CAUTION:

Do not run the pump without the water supply connected and turned on.

### Before starting the engine:

- Connect all hoses.
- Check all fluids (lubricant and gas).
- Unroll the high pressure hose from the storage reel.
- Turn on the garden hose then squeeze the trigger to relieve air pressure; hold the trigger until a steady stream of water appears.

### To start the engine:

- Place the fuel valve lever in the on position.
- If the engine is cold, move the choke lever to the closed position. As the engine warms, move the choke to the open position.  
If the engine is warm, leave the choke lever in the open position.
- Move the throttle lever away from the MAX position (pushed to the right) to about one-third of the way towards the MIN position (pushed to the left).
- Place the engine switch in the **ON (I)** position.
- Grasp the recoil starter and pull slowly until resistance is felt. Give the recoil starter a short, brisk pull to start the engine.

**NOTE:** If engine does not start after several pulls, depress trigger to release pressure then repeat normal starting procedure.

- Move the throttle lever to the MAX position once the machine is running.

### To stop the engine:

- Move the throttle lever to the MIN position.
- Place the engine switch in the **OFF (O)** position.
- Turn the fuel valve lever off.

## USING THE SPRAY WAND TRIGGER

See Figures 17 - 18.

For greater control and safety, keep both hands on the trigger handle at all times.

- Pull back and hold the trigger to operate the pressure washer.
- Release the trigger to stop the flow of water through the nozzle.

### To engage the lock out:

- Push up on the lock out until it clicks into the slot.

### To disengage the lock out:

- Push the lock out down and into its original position.

For the most effective cleaning, the spray nozzle should be between 8 in. and 24 in. from the surface to be cleaned. If the spray is too close it can damage the cleaning surface.

## SELECTING THE RIGHT NOZZLE FOR THE JOB

See Figure 19.

Before starting any cleaning job, determine the best nozzle for the job. Each of the nozzles has a different spray pattern. The nozzle patterns are: 40° (for gentle rinse), 25° (for general purpose or large surfaces), 15° (for tough jobs), 0° (for spot cleaning or high-to-reach areas), and the black nozzle for using detergent.

### WARNING:

NEVER change nozzles without locking the lock out on the trigger handle and NEVER point the wand at your face or at others. The quick-connect feature contains small springs that could eject the nozzle with some force. Failure to heed this may cause personal injury.

Using the quick-connect collar, changing nozzles is easy.

### To connect a nozzle to the trigger handle:

- Turn off the pressure washer and shut off the water supply. Pull trigger to release water pressure.
- Engage the lock out on the trigger handle by pushing up on the lock out until it clicks into the slot.
- Pull back the quick-connect collar.
- Push the nozzle into place in the spray wand.
- Push the collar forward so that the nozzle is secured properly. Check to see that the nozzle is secure.

### To disconnect a nozzle from the trigger handle once the cleaning job is complete:

- Turn off the pressure washer and shut off the water supply. Pull trigger to release water pressure.

# OPERATION

- Engage the lock out on the trigger handle by pushing up on the lock out until it clicks into the slot.
- To remove the nozzle, pull back the quick-connect collar, remove the nozzle, then push the collar forward again. Place nozzle in the nozzle storage area on the top of the machine.

## WASHING WITH DETERGENT

See Figure 20.

Use only detergents designed for pressure washers; household detergents, acids, alkalines, bleaches, solvents, flammable material, or industrial grade solutions can damage the pump. Many detergents may require mixing prior to use. Prepare cleaning solution as instructed on the solution bottle.

- Place the injection hose in the bottom of the detergent bottle/container.
- Install the black nozzle on the spray wand.
- Spray the detergent on a dry surface using long, even, overlapping strokes. To prevent streaking, do not allow detergent to dry on the surface.

### Before shutting off the engine:

- Place the injection hose in a bucket of clean water.
- Flush for 1-2 minutes (spray clear water through the spray wand).
- Shut off the engine.

**NOTE:** Shutting **OFF (O)** the engine will not relieve pressure in the system. Pull trigger to release water pressure.

## RINSING WITH THE PRESSURE WASHER

- Turn off the pressure washer and shut off the water supply. Pull trigger to release water pressure.
- Engage the lock out on the trigger handle by pushing up on the lock out until it clicks into the slot.
- Remove the nozzle by placing hand over nozzle then pulling back the quick-connect collar. Place nozzle in the nozzle storage area on the top of the machine.
- Select the right nozzle for the job:
  - Use medium pressure nozzle (green) for items such as a car or boat.
  - Use higher pressure nozzle for jobs such as stripping paint and degreasing the driveway. When using these nozzles, test a small area first to avoid surface damage.
- Start at the top of the area to be rinsed and work down, overlapping the strokes.

## MOVING THE PRESSURE WASHER

See Figure 21.

**NOTE:** Never lift this product using the transport handle.

- Turn the pressure washer off.
- Lift the handle so that the feet are off the ground, then roll the machine to the desired position.

# MAINTENANCE

## **WARNING:**

When servicing, use only identical replacement parts. Use of any other parts may create a hazard or cause product damage.

## **WARNING:**

Always wear eye protection marked to comply with ANSI Z87.1 during product operation. If operation is dusty, also wear a dust mask.

## **WARNING:**

Before inspecting, cleaning or servicing the machine, shut off engine, wait for all moving parts to stop, and disconnect spark plug wire and move it away from spark plug. Failure to follow these instructions can result in serious personal injury or property damage.

## GENERAL MAINTENANCE

Avoid using solvents when cleaning plastic parts. Most plastics are susceptible to damage from various types of commercial solvents and may be damaged by their use. Use clean cloths to remove dirt, dust, oil, grease, etc.

## **WARNING:**

Do not at any time let brake fluids, gasoline, petroleum-based products, penetrating oils, etc., come in contact with plastic parts. Chemicals can damage, weaken or destroy plastic which may result in serious personal injury.

Only the parts shown on the parts list are intended to be repaired or replaced by the customer. All other parts should be replaced at an authorized service center.

## NOZZLE MAINTENANCE

See Figure 22.

Excessive pump pressure (a pulsing sensation felt while squeezing the trigger) may be the result of a clogged or dirty nozzle.

- Turn off the pressure washer and shut off the water supply. Pull trigger to release water pressure.
- Remove the nozzle from the spray wand.

**NOTE:** Never point the spray wand at your face.

- Using a straightened paper clip or nozzle cleaning tool (not provided), free any foreign materials clogging or restricting the nozzle.
- Using a garden hose, flush debris out of nozzle by back flushing (running the water through the nozzle backwards or from the outside to the inside).

- Reconnect the nozzle to the spray wand.
- Turn on the water supply and start the engine.

## CHECKING/ADDING PUMP LUBRICANT

See Figure 23.

Check the level of the pump lubricant after the first 50 hours of use. For the remainder of the life of the pressure washer, the pump lubricant level should be checked after every 100 hours of use.

**NOTE:** If you notice lubricant leaking out around the pump seals, take the pressure washer to an Authorized Service Center for repair.

### To check pump lubricant level:

- Set pressure washer on a flat surface.
- Remove pump oil cap/dipstick, wipe dipstick clean, and re-seat in hole; do not rethread.
- Remove dipstick again and check lubricant level. Lubricant level should fall between the MIN and MAX levels on the dipstick.
- If level is low, add pump lubricant until the fluid level rises to the MAX area on the dipstick.
- Replace and secure the pump oil cap/dipstick.

### To add pump lubricant:

- Unscrew the pump oil cap/dipstick and remove.
- Using funnel, add universal tractor transmission lubricant through fill hole.
- Reinstall the oil cap/dipstick and secure.

## STORING THE PRESSURE WASHER

See Figure 24.

Store the pressure washer with the gas tank empty by either draining the tank or running the pressure washer until the gas runs out. Allow 30 minutes of “cool down” time before storing the machine. Store in a dry, covered area where the weather can’t damage it.

It is important to store this product in a frost-free area. Always empty water from all hoses, the pump, and the detergent bucket before storing.

**NOTE:** Use of a fuel stabilizer and pump saver will give you better performance and increase the life of the machine.

### Discharge Fuel:

Drain the fuel tank completely. Stored gas can go stale in 30 days.

### Engine Lubricant:

Drain the lubricant and replace with fresh, clean lubricant.

**NOTE:** Consult hazardous waste management guidelines in your area for the proper way to dispose of used lubricant and old fuel.



# MAINTENANCE

## Spark Plug:

- Disconnect spark plug wire and remove the spark plug. Pour about a teaspoon of clean, air-cooled, four-cycle lubricant through the spark plug hole into the combustion chamber.
- Leaving the spark plug out, pull the starter cord two or three times to coat the inside of the cylinder wall.
- Inspect the spark plug and clean or replace, as necessary.
- Reinstall the spark plug, but leave the spark plug wire disconnected.

## Air Filter:

- Clean the air filter or replace using Honda Genuine Parts.

## Hoses and Pump:

Flush the injection hose with clean water for 1-2 minutes. Remove all hoses. Empty the pump by pulling on the recoil starter about 6 times. This should remove most of the liquid from the pump.

## PREPARING FOR USE AFTER STORAGE

- Pull the recoil starter grip three or four times to clean lubricant from the combustion chamber.
- Remove spark plug from the cylinder. Wipe lubricant from the spark plug and return it to the cylinder.
- Reconnect the spark plug wire.
- Refuel the machine as described earlier in the operator's manual.

# TROUBLESHOOTING

PROBLEM	POSSIBLE CAUSE	SOLUTION
Engine fails to start	<ol style="list-style-type: none"> <li>1. No fuel in tank</li> <li>2. Spark plug shorted or fouled</li> <li>3. Spark plug is broken (cracked porcelain or electrodes broken)</li> <li>4. Ignition lead wire shorted, broken, or disconnected from spark plug</li> <li>5. Ignition inoperative</li> <li>6. Engine lubricant is low</li> </ol>	<ol style="list-style-type: none"> <li>1. Fill tank</li> <li>2. Replace spark plug</li> <li>3. Replace spark plug</li> <li>4. Replace lead wire or attach to spark plug</li> <li>5. Contact authorized service center</li> <li>6. Check lubricant level and, if necessary, add engine lubricant as described earlier in this manual</li> </ol>
Engine hard to start	<ol style="list-style-type: none"> <li>1. Water in gasoline</li> <li>2. Weak spark at spark plug</li> <li>3. Engine throttle lever is in MIN position</li> </ol>	<ol style="list-style-type: none"> <li>1. Drain entire system and refill with fresh fuel</li> <li>2. Contact authorized service center</li> <li>3. Move engine throttle lever to MAX position</li> </ol>
Engine lacks power	<ol style="list-style-type: none"> <li>1. Dirty air filter</li> </ol>	<ol style="list-style-type: none"> <li>1. Clean or replace air filter</li> </ol>
Detergent fails to mix with spray	<ol style="list-style-type: none"> <li>1. Detergent injection hose is not properly submerged</li> <li>2. High pressure nozzle attached</li> </ol>	<ol style="list-style-type: none"> <li>1. Insert injection hose into detergent container or detergent bottle</li> <li>2. Use low pressure nozzle (black) to apply detergent</li> </ol>
Pump doesn't produce pressure	<ol style="list-style-type: none"> <li>1. Low pressure nozzle installed</li> <li>2. Inadequate water supply</li> <li>3. Trigger handle or spray wand leaks</li> <li>4. Nozzle is clogged</li> <li>5. Pump is faulty</li> <li>6. Air in line</li> </ol>	<ol style="list-style-type: none"> <li>1. Replace with high pressure nozzle</li> <li>2. Provide adequate water flow</li> <li>3. Check connections and/or replace trigger handle or spray wand</li> <li>4. Clean nozzle</li> <li>5. Contact authorized service center</li> <li>6. Squeeze trigger on trigger handle to remove air from line</li> </ol>
Machine doesn't reach high pressure	<ol style="list-style-type: none"> <li>1. Diameter of garden hose is too small</li> <li>2. Water supply is restricted</li> <li>3. Not enough inlet water</li> <li>4. Wrong nozzle is attached</li> </ol>	<ol style="list-style-type: none"> <li>1. Replace with 3/4 in. garden hose</li> <li>2. Check garden hose for kinks, leaks, and blockages</li> <li>3. Open water source full force</li> <li>4. Attach the high pressure nozzle</li> </ol>

# WARRANTY

## LIMITED NON-ENGINE WARRANTY STATEMENT

OWT Industries, Inc. warrants to the original retail purchaser of this BLACK MAX® brand pressure washer in the United States of America, Canada or Mexico that the pressure washer is free from defect in material and workmanship, and agrees to repair or replace, at OWT Industries, Inc.'s discretion, any defective product free of charge within this time period from the date of purchase:

Two years if the product is used for personal, family or household use.

This warranty extends only to an original retail purchaser and commences on the date of the original retail purchase.

Any part of this product found in the reasonable judgment of OWT Industries, Inc. to be defective in material or workmanship will be repaired or replaced during the warranty period, without charge for parts and labor, by an authorized service center for BLACK MAX® brand pressure washers (Authorized BLACK MAX® Service Center).

The product, including any defective part, must be returned to an Authorized BLACK MAX® Service Center within the warranty period. The expense of delivering the product to the service center for warranty work and returning it back to the owner after repair or replacement will be paid for by the owner. OWT Industries, Inc.'s responsibility with respect to warranty claims is limited to making the required repairs or replacements and no claim of breach of warranty shall be cause for cancellation or rescission of the contract of sale of any BLACK MAX® brand pressure washer.

KEEP YOUR SALES RECEIPT. Proof of purchase will be required to substantiate any warranty claim. All warranty work must be performed by an Authorized BLACK MAX® Service Center.

This warranty does not cover any product that has been subject to misuse, neglect, negligence, accident, that is used for rental or commercial purposes, or that has been operated in any way contrary to the operating instruction in the operator's manual. This warranty does not apply to any damage to the product that is the result of normal wear, alteration, modification, improper maintenance, use of unauthorized replacement parts, or service provided by anyone other than an Authorized BLACK MAX® Service Center.

In addition, this warranty does not cover:

A. Tune-ups – Air filters, gas filters, spark plugs

B. Engine – Your product is equipped with an engine that is covered exclusively by a separate warranty from the engine manufacturer. Please refer to the engine manual included with the product for warranty information related to the engine.

C. Wear items – Hoses, connector fittings, spray nozzles, wheels, spray wand, detergent bucket, detergent tank

OWT Industries, Inc. reserves the right to change or improve the design of any BLACK MAX® brand pressure washer without assuming any obligation to modify any product previously manufactured.

ALL IMPLIED WARRANTIES ARE LIMITED IN DURATION TO THE STATED WARRANTY PERIOD. ANY SUCH IMPLIED WARRANTIES INCLUDING MERCHANTABILITY, FITNESS FOR A PARTICULAR PURPOSE, OR OTHERWISE, ARE DISCLAIMED IN THEIR ENTIRETY TO THE GREATEST EXTENT PERMITTED UNDER APPLICABLE LAW. OWT INDUSTRIES, INC. ASSUMES NO RESPONSIBILITY FOR INCIDENTAL, CONSEQUENTIAL OR OTHER DAMAGES. OWT INDUSTRIES, INC.'S OBLIGATION UNDER THIS WARRANTY IS STRICTLY AND EXCLUSIVELY LIMITED TO THE REPAIR OR REPLACEMENT OF DEFECTIVE PARTS AND OWT INDUSTRIES, INC. DOES NOT ASSUME OR AUTHORIZE ANYONE TO ASSUME FOR THEM ANY OTHER OBLIGATION. SOME STATES DO NOT ALLOW LIMITATIONS ON HOW LONG AN IMPLIED WARRANTY LASTS OR THE EXCLUSION OR LIMITATION OF INCIDENTAL OR CONSEQUENTIAL DAMAGES, SO THE ABOVE LIMITATIONS MAY NOT APPLY TO YOU.

This warranty gives you specific legal rights, and you may also have other rights which vary from state to state.

To locate your nearest Authorized BLACK MAX® Service Center, dial 1-800-726-5760.

# INSTRUCTIONS IMPORTANTES CONCERNANT LA SÉCURITÉ



## AVERTISSEMENT :

**Lire attentivement toutes les instructions.** Le non-respect de toutes les instructions ci-dessous peut entraîner un choc électrique, un incendie et/ou une intoxication par le monoxyde de carbone, ce qui peut causer des blessures graves voire la mort.

## LIRE TOUTES LES INSTRUCTIONS

- **Apprendre à connaître l'outil.** Lire attentivement le manuel d'utilisation. Apprendre les applications et les limites de l'outil, ainsi que les risques spécifiques relatifs à son utilisation.
- **Maintenir tous les dispositifs de protection en place** et en bon état de fonctionnement. Ne jamais utiliser l'outil avec des couvercles ou dispositifs de protection retirés. S'assurer que tous les dispositifs de protection fonctionnent correctement avant chaque utilisation.
- **Retirer les clés et outils de réglage.** Prendre l'habitude de vérifier que tous les outils et clés de réglage en ont été retirés de l'outil avant de le mettre en marche.
- **Pour réduire les risques de blessures,** garder les enfants et visiteurs à l'écart. Tous les visiteurs doivent porter des lunettes de sécurité et se tenir à bonne distance de la zone de travail.
- **Ne laisser personne approcher la zone de travail,** particulièrement les petits enfants et les animaux domestiques.
- **Ne pas faire tourner le moteur dans un espace confiné** où des vapeurs toxiques de monoxyde de carbone peuvent s'accumuler. Le monoxyde de carbone, un gaz incolore, inodore et extrêmement toxique peut causer une perte de conscience et être mortel.
- **Utiliser l'outil approprié.** Ne pas utiliser l'outil ou un accessoire pour effectuer un travail pour lequel il n'est pas conçu. Ne pas utiliser l'outil pour une application non prévue.
- **Porter une tenue appropriée.** Ne pas porter de vêtements amples, gants, cravate ou bijoux. Ces articles pourraient être happés et tirer la main ou une partie du corps dans les pièces en mouvement. Des gants en caoutchouc et des chaussures antidérapantes sont recommandées pour le travail à l'extérieur. Les cheveux longs doivent être ramassés sous un couvre-chef.
- **Ne pas faire fonctionner l'équipement pied-nu ou en portant des sandales ou des chaussures légères similaires.** Porter des chaussures de sécurité protégeant les pieds et améliorant l'équilibre sur des surfaces glissantes.
- **Faire preuve de prudence pour éviter de glisser ou tomber.**
- **Toujours porter des lunettes de sécurité avec écrans latéraux.** Les lunettes de vue ordinaires sont munies seulement de verres résistants aux impacts ; ce ne sont **PAS** des lunettes de sécurité.
- **Ne pas travailler hors de portée ou se tenir sur une surface instable.** Toujours se tenir bien campé et en équilibre.
- **N'utiliser que les accessoires recommandés.** L'emploi de tout accessoire inadapté peut présenter un risque de blessure.
- **Suivre les instructions d'entretien spécifiées dans ce manuel.**
- **Vérifier l'état des pièces.** Avant d'utiliser l'outil de nouveau examiner soigneusement les pièces et dispositifs de protection qui semblent endommagés afin de déterminer s'ils fonctionnent correctement et s'ils remplissent les fonctions prévues. Vérifier l'alignement des pièces mobiles, s'assurer qu'aucune pièce n'est bloquée ou cassée, vérifier la fixation de chaque pièce et s'assurer qu'aucun autre problème ne risque d'affecter le bon fonctionnement de l'outil. Pour éviter les risques de blessures, toute protection ou pièce endommagée doit être correctement réparée ou remplacée dans un centre de réparations agréé.
- **Ne jamais laisser un outil en fonctionnement sans surveillance.** Ne pas s'éloigner de l'outil avant qu'il soit parvenu à un arrêt complet.
- **Garder le moteur dépourvu d'herbe, feuilles ou graisse** pour réduire le risque d'incendie.
- **Garder le tuyau d'échappement propre et exempt de débris.**
- **Suivre les recommandations du fabricant pour assurer la sécurité de chargement, déchargement, transport et remisage de la machine.**
- **Se familiariser complètement avec les commandes.** Veiller à savoir arrêter la machine et relâcher la pression rapidement.
- **Garder l'outil sec, propre et exempt d'huile ou de graisse.** Toujours utiliser un chiffon propre pour le nettoyage. Ne jamais utiliser de liquide de freins, d'essence ou de produits à base de pétrole pour nettoyer l'outil.
- **Rester vigilant et garder le contrôle.** Se montrer attentif et faire preuve de bon sens. Ne pas utiliser l'outil en état de fatigue. Ne pas se presser.
- **Ne pas utiliser cet outil sous l'influence de l'alcool, de drogues ou de médicaments.**
- **Examiner la zone de travail avant chaque utilisation.** La débarrasser de tous les objets tels que cailloux, verre brisé, clous, fils métalliques, cordes, etc. risquant d'être projetés ou de se prendre dans la machine.
- **Ne pas utiliser l'outil si le commutateur ne permet pas de l'arrêter.** Faire remplacer les commutateurs défectueux dans un centre de réparations agréé.
- **Avant de nettoyer, réparer ou inspecter,** couper le moteur et vérifier que toutes les pièces en mouvement sont arrêtées. Déconnecter le fil de bougie et garder le fil à l'écart de la bougie afin d'empêcher un démarrage accidentel.
- **Éviter les environnements dangereux.** Ne pas utiliser dans des endroits mouillés ou humides, ne pas exposer à la pluie. Garder le lieu de travail bien éclairé.
- **Ne jamais utiliser dans une atmosphère explosive.** Les étincelles normalement produites par le moteur pourraient enflammer les vapeurs.
- **Ne jamais utiliser en fumant ou à côté d'une flamme vive.**
- **Ne pas utiliser à proximité de** buissons secs, brindilles, chiffons ou autres matériaux inflammables.
- **AVERTISSEMENT : Risque d'injection ou de blessures** – ne pas diriger le jet directement vers quelqu'un.






# RÈGLES DE SÉCURITÉ PARTICULIÈRES










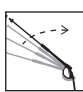
- **Ne jamais diriger le jet d'eau vers des personnes, animaux domestiques ou dispositifs électriques.**
- **Avant de commencer toute opération de nettoyage,** fermer les portes et fenêtres. Débarrasser la zone à nettoyer de débris, jouets, meuble de jardin ou autres objets pouvant créer un danger.
- **Ne jamais ramasser ni porter la machine lorsque le moteur tourne.**
- **Ne jamais mettre la machine en marche** si de la glace s'est formée sur quelque partie que ce soit.
- **Ne pas utiliser de produits acides ou alcalins, de solvants, de matières inflammables ou de solutions de qualité industrielle** dans ce produit. Ces produits peuvent causer des blessures de l'opérateur et des dommages irréversibles de l'équipement.
- **Toujours utiliser la machine** sur une surface plane. Si le moteur est incliné, il peut se gripper à cause d'un graissage insuffisant (même au niveau maximum d'huile).
- **AVERTISSEMENT : Les jets à haute pression peuvent être dangereux s'ils sont utilisés incorrectement.** Le jet ne doit pas être dirigé vers des personnes, animaux, dispositifs électriques ou l'équipement lui-même.
- **Ne jamais essayer de faire des réglages pendant que le moteur tourne** (sauf en cas de recommandations spécifiques du fabricant).
- **Les dispositifs de protection doivent toujours couvrir des pièces en rotation quand le moteur tourne.**
- **Garder l'entrée d'air** (lanceur à rappel) et le côté échappement du moteur au à au moins 3 pi (914 mm) des structures, obstacles et autres objets combustibles.
- **Garder le moteur à l'écart des articles inflammables et autres matières dangereuses.**
- **Rester à l'écart des pièces brûlantes.** L'échappement et d'autres pièces de moteur deviennent brûlantes, se montrer prudent.
- **Ne toucher ni la bougie, ni le câble d'allumage** lors du démarrage et du fonctionnement du moteur.
- **Vérifier le serrage des flexibles et raccords de carburant** et s'assurer de l'absence de fuites avant chaque utilisation.
- **Vérifier le serrage de la boulonnerie** avant chaque utilisation. Un boulon ou écrou desserré peut causer de sérieux problèmes de moteur.
- **Avant de gonfler les pneus, s'assurer que les boulons installés dans l'enjoliveur de roue sont serrés solidement.** Il est nécessaire de gonfler les pneus à l'aide d'une pompe manuelle en s'assurant que la pression de gonflage ne dépasse pas 206,8 kPa (30 psi). Vérifier la pression des pneus pendant et après le gonflage au moyen d'un manomètre pour pneus fiable.
- **Toujours effectuer l'approvisionnement en carburant à l'extérieur.** Ne jamais refaire le plein en intérieur ou dans un endroit insuffisamment ventilé.
- **Ne jamais remiser la machine avec du carburant dans le réservoir de carburant dans un local** où des sources d'allumage, telles que radiateurs à gaz et à eau chaude, les séchoirs à vêtements, etc., sont présentes.
- **Si le réservoir de carburant doit être vidé, le faire à l'extérieur.**
- **Manipuler le carburant avec précaution** pour éviter les risques d'incendies et de brûlures. Le carburant est extrêmement inflammable.
- **Ne pas fumer pendant la manipulation du carburant.**
- **Faire l'appoint de carburant avant de lancer le moteur.** Ne jamais retirer le couvercle du réservoir de carburant ni ajouter du carburant pendant que le moteur tourne ou quand le moteur est chaud.
- **Desserrer le bouchon du réservoir** lentement pour relâcher la pression et éviter que le carburant s'échappe.
- **Remettre en place tous les bouchons de conteneur et de réservoir de carburant et les serrer fermement.**
- **Essuyer tout le carburant éventuellement répandu.** S'éloigner de 9 m (30 pi) du point d'approvisionnement avant de lancer le moteur.
- **Si du carburant est renversé,** ne pas essayer de démarrer le moteur mais éloigner la machine de l'endroit et éviter de créer une source d'inflammation jusqu'à ce que les vapeurs de carburant se soient dissipées.
- **N'essayer en aucun cas de brûler le carburant répandu.**
- **Laisser le moteur refroidir avant de remiser l'outil.**
- **Remiser le carburant dans un endroit frais, bien aéré,** à l'écart d'étincelle et/ou d'appareils produisant des flammes.
- **Conserver le carburant dans** des jerrycans spécialement conçus à cet effet.
- **Pour le transport sur ou dans un véhicule,** le réservoir doit être vide et la machine bien arrimée.
- **Utiliser exclusivement des pièces identiques à celles d'origine pour les réparations.** L'usage de toute autre pièce pourrait créer une situation dangereuse ou endommager l'outil.
- **Utiliser de l'eau froide uniquement.**
- **Veiller à garder une distance d'au moins 3 pi (914 mm)** des matériaux combustibles.
- **Ne jamais la pulvérisation proche à la surface** être nettoyée comme vous pouvez endommager la surface.
- **Conserver ces instructions.** Les consulter fréquemment et les utiliser pour instruire d'autres utilisateurs. Si cet outil est prêté, il doit être accompagné de ces instructions.

# SYMBOLES

Les termes de mise en garde suivants et leur signification ont pour but d'expliquer le degré de risques associé à l'utilisation de ce produit.



SYMBOLE	SIGNAL	SIGNIFICATION
	<b>DANGER :</b>	Indique une situation extrêmement dangereuse qui, si elle n'est pas évitée, aura pour conséquences des blessures graves ou mortelles.
	<b>AVERTISSEMENT :</b>	Indique une situation potentiellement dangereuse qui, si elle n'est pas évitée, pourrait entraîner des blessures graves ou mortelles.
	<b>ATTENTION :</b>	Indique une situation potentiellement dangereuse qui, si elle n'est pas évitée, pourrait entraîner des blessures légères ou de gravité modérée.
	<b>ATTENTION :</b>	(Sans symbole d'alerte de sécurité) Indique une situation pouvant entraîner des dommages matériels.

Certains des symboles ci-dessous peuvent être présents sur le produit. Veiller à les étudier et à apprendre leur signification. Une interprétation correcte de ces symboles permettra d'utiliser le produit plus efficacement et de réduire les risques.

SYMBOLE	NOM	DÉSIGNATION / EXPLICATION
	Symbole d'alerte de sécurité	Indique un risque de blessure potentiel.
	Avertissement concernant l'humidité	Ne pas exposer à la pluie ou l'humidité.
	Lire le manuel d'utilisation	Pour réduire les risques de blessures, l'utilisateur doit lire et veiller à bien comprendre le manuel d'utilisation avant d'utiliser ce produit.
	Protection oculaire	Toujours porter des lunettes de sécurité étanches ou à coques latérales et, au besoin, un masque facial intégral lors de l'utilisation de ce produit.
	Surface brûlante	Pour réduire les risques de blessures ou de dommages, éviter tout contact avec les surfaces brûlantes.
	Risque d'injection	Pour réduire les risques d'injection ou de blessures, ne jamais diriger le jet directement vers des enfants ou animaux domestiques et ne placer aucune partie du corps sur la trajectoire du jet. Les fuites aux flexibles et raccords peuvent également entraîner des blessures. Ne pas tenir des flexibles ou raccords.
	Risque d'explosion	Le carburant et ses vapeurs sont explosifs et peuvent entraîner des brûlures graves ou mortelles.
	Risque d'incendie	Le carburant et ses vapeurs sont extrêmement inflammables et explosifs. Le feu peut entraîner des brûlures graves ou mortelles.
	Vapeurs toxiques	Les dérivés du pétrole dégagent du monoxyde de carbone, un gaz toxique inodore et incolore. L'inhalation du monoxyde de carbone peut entraîner des nausées, des évanouissements ou être mortelle.
	Rebond	Pour réduire le risque de blessure suite à un rebond, tenir la lance fermement à deux mains lorsque la machine est en fonctionnement.

# SYMBOLES

Certains des symboles ci-dessous peuvent être présents sur le produit. Veiller à les étudier et à apprendre leur signification. Une interprétation correcte de ces symboles permettra d'utiliser le produit plus efficacement et de réduire les risques.

SYMBOLE	NOM	DÉSIGNATION / EXPLICATION
	Choc électrique	Ne pas utiliser la machine dans un endroit sec ou ne pas respecter les pratiques de sécurité peut entraîner un choc électrique.
	Brûlures chimiques	Pour réduire les risques de blessures ou de dommages matériels, NE PAS UTILISER DE PRODUITS ACIDES, ALCALINS OU JAVÉLISÉS, NI DE SUBSTANCES INFLAMMABLES OU DE SOLUTIONS DE QUALITÉ INDUSTRIELLE dans ce produit.

# CARACTÉRISTIQUES

## FICHE TECHNIQUE

Moteur ..... Honda GX390  
Contenance du réservoir de carburant ..... 6,1 litre (1,61 gal)  
Pression maximum en livres par pouce carré/Kpa\* ..... 27 579 Kpa (4 000 psi)  
Débit maximum par minute\* ..... 15,1 LPM (4,0 gpm)  
Température maximum d'eau d'arrivée ..... 40 °C (104 °F)

\*Maximum évaluant résolu par la norme de PWMA 101, quand essayé avec le buse rouge

## APPRENDRE À CONNAÎTRE LE NETTOYEUR HAUTE PRESSION

Voir la figure 1.

La sécurité d'utilisation de ce produit exige la compréhension des informations apposées sur le produit et contenues dans ce manuel d'utilisation, ainsi que la connaissance du travail à exécuter. Avant d'utiliser ce produit, se familiariser avec toutes ses fonctions et règles de sécurité.

## COMMUTATEUR DE MOTEUR

Le commutateur de moteur est utilisé dans la combinaison avec le manchon en lanceur à rappel pour commencer le moteur. Il est aussi utilisé pour arrêter le moteur.

## RÉSERVOIR DE CARBURANT

La contenance maximum de ce réservoir de carburant est de 6,1 litre (1,61 gal). Utiliser de l'essence sans plomb.

## HONDA GX390 ENGINE

Le moteur à Honda permet au nettoyeur haute pression d'atteindre 27 579 kPa (4 000 psi) (livres par pouces carrés) à 15,1 LPM (4,0 gpm). Lire le manuel du moteur inclus avec ce produit.

## BOBINE

Le bobine permet d'entreposer rapidement et facilement le tuyau flexible haute pression lorsque celui-ci n'est pas utilisé.

## POIGNÉE DE RÉGLAGE DE PRESSION/DÉBIT

Utiliser la poignée de réglage du débit/pression pour changer le niveau de pression du jet de lavage à la pression adaptée à chaque projet.

## LANCEUR À RAPPEL

Tirer sur le lanceur pour mettre le moteur en marche.

## PARE-ÉTINCELLES

Ce moteur n'est pas équipé d'un pare-étincelles monté en usine. Dans certaines régions, il est interdit d'utiliser un moteur sans pare-étincelles. Un pare-étincelles est disponible en appelant le service après-vente.

## SOUPAPE DE SUPPRESSION THERMIQUE

Ce dispositif de la pompe empêche que la température de l'eau atteigne un niveau dangereux en relâchant une petite quantité d'eau par un capuchon en plastique. Une fois l'eau écoulée, la soupape se réarme automatiquement.

## POIGNÉE DE GÂCHETTE

La poignée de gâchette est dotée d'une surface de prise permettant de mieux la contrôler et de réduire la fatigue.

## GÂCHETTE AVEC VERROUILLAGE

Appuyer sur la gâchette pour produire un jet d'eau à haute pression pour le nettoyage. Le verrouillage constitue une protection contre toute utilisation non autorisée.

# ASSEMBLAGE

## DÉBALLAGE

Ce produit doit être assemblé.

- Avec précaution, couper les côtés du carton, puis en sortir la machine et les accessoires. S'assurer que toutes les pièces indiquées sur la liste de contrôle sont incluses.

**NOTE :** Cet outil est lourd. Pour éviter des problèmes lombaires soulever avec les jambes, pas avec le dos et demander de l'aide lorsque nécessaire.



### AVERTISSEMENT :

Ce nouveaux produit a été expédié dans une condition partiellement assemblée comme décrit au dessous. Vérifier attentivement la liste de contrôle d'expédition au dessous de garantir tous articles sont inclus dans le packet. La liste de de contrôle d'expédition décrit tous articles détachés qui ne sont pas assemblés au produit comme expédié. Ne pas utiliser le produit si les articles de liste de contrôle d'expédition se sont déjà assemblés à votre produit quand vous pour déballage. Appeler le nombre de service clients au dessous pour l'assistance. Utilisation d'un produit qui pourrait avoir été incorrectement déjà assemblé pourrait avoir peut entraîner des blessures graves.

- Examiner soigneusement le produit pour s'assurer que rien n'a été brisé ou endommagé en cours de transport.
- Ne pas jeter les matériaux d'emballage avant d'avoir soigneusement examiné le produit et avoir vérifié qu'il fonctionne correctement.
- Si des pièces sont manquantes ou endommagées, appeler le 1-800-726-5760 for assistance.

## LISTE DE CONTRÔLE

Nettoyeur haute pression avec tuyau flexible et bobine

Poignée de gâchette

Lance de pulvérisation

Roues (2)

Supports de pied (2)

Boulons (4)

Écrous (4)

Essieu

Rondelles (2)

Écarteurs (2)

Agrafes en E (2)

Support de rangement des lances d'arrosage (2)

Écrous à épaulement (4)

Buse à raccord rapide (5)

Flexible d'injection avec filtre à d'injection transparent

Bouchon/jauge à évent du réservoir d'huile de la pompe

Lubrifiant moteur 4 temps (SAE30, SAE 10W30)

Manuel d'utilisation



### AVERTISSEMENT :

Si des pièces manquent ou sont endommagées, ne pas utiliser ce produit avant qu'elles aient été remplacées. Le fait d'utiliser ce produit même s'il contient des pièces endommagées ou s'il lui manque des pièces peut entraîner des blessures graves.



### AVERTISSEMENT :

Ne pas essayer de modifier ce produit ou de créer des accessoires non recommandés pour ce produit. De telles altérations ou modifications sont considérées comme un usage abusif et peuvent créer des conditions dangereuses, risquant d'entraîner des blessures graves.



### AVERTISSEMENT :

Pour empêcher un démarrage accidentel pouvant entraîner des blessures graves, toujours déconnecter le fil de bougie de moteur de la bougie d'allumage avant d'assembler des pièces.

**NOTE :** Ne pas mettre du carburant ou du lubrifiant dans la nettoyeur haute pression avant d'installer les pieds et les roues.

## INSTALLATION DES SUPPORTS DES PATTES

Voir la figure 2.

- Localiser les pièces suivantes :  
2 supports de pied, 4 écrous, 4 boulons
- Soulever suffisamment l'extrémité de la laveuse à pression, du côté opposé au démarreur à rappel, pour avoir accès au bas du cadre. Fixer solidement les accessoires sous celui-ci afin de le soutenir.
- Insérer un boulon dans le support de la patte, puis dans le cadre, tel qu'illustré.
- Installer l'écrou et serrer solidement.
- Répéter le processus de l'autre côté afin d'installer le deuxième support de patte.

## INSTALLATION DES ROUES

Voir la figure 3.

- Localiser les pièces suivantes :  
Essieu, 2 rondelles, 2 écarteurs, 2 roues, 2 Agrafes en E
- Relever l'extrémité du nettoyeur haute pression à l'opposé du poignée à rappel suffisamment pour accéder au bas du cadre ; placer des cales en dessous pour obtenir un bon support.
- Installer l'essieu dans le cadre de la laveuse à pression.
- Placer une entretoise sur l'essieu.
- Glisser la roue sur l'essieu en faisant en sorte que le corps de valve soit orienté vers l'extérieur.
- Glisser une rondelle sur l'essieu et fixer solidement le tout au moyen d'une attache en « E ».
- Répéter le processus de l'autre côté pour fixer la deuxième roue.

## GONFLER LES PNEUS

Après avoir installé les roues, utiliser un manomètre pour pneus de bonne qualité afin de s'assurer que la pression de gonflage des pneus est appropriée.

- Dévisser le capuchon en plastique de la valve d'air et le mettre de côté.
- Appuyer le manomètre pour pneus contre la valve et le maintenir fermement. En cas de sifflement, appuyer avec



# ASSEMBLAGE

plus de force sur le manomètre jusqu'à ce que le bruit cesse.

- Lire le manomètre et ajouter de l'air à l'aide d'une pompe manuelle, au besoin. La pression de gonflage maximale pour ce produit est de 206,8 kPa (30 psi).

## **AVERTISSEMENT :**

Pour réduire les risques de blessures, ne pas gonfler excessivement les pneus de l'unité. Pendant le gonflage, vérifier régulièrement la pression au moyen d'un manomètre pour pneus fiable, tout en s'assurant que la pression de gonflage n'excède jamais 206,8 kPa (30 psi). Toujours s'assurer que les boulons installés dans l'enjoliveur de roue sont serrés solidement avant de gonfler les pneus.

**NOTE:** Il est nécessaire de gonfler les pneus à l'aide d'une pompe manuelle en s'assurant que la pression de gonflage. Ne pas utiliser de compresseur d'air pour gonfler ces pneus.

## **FIXATION DE LA POIGNÉE**

Voir la figure 4.

- Tirer la goupille de verrouillage de poignée vers l'extérieur.
- Soulever la poignée de transport et relâcher la goupille de verrouillage de poignée afin de la fixer solidement.
- **Pour abaisser :** soulever légèrement la poignée de transport et tirer la goupille de verrouillage de poignée vers l'extérieur afin de la relâcher.

## **INSTALLATION DES SUPPORTS DE RANGEMENT DE LA LANCE D'ARROSAGE**

Voir la figure 5.

- Placer l'arbre fileté du support de rangement dans les trous du cadre de la laveuse à pression.
- Installer deux écrous à épaulement et les serrer solidement.
- Répéter le processus pour installer le deuxième support.

## **INSTALLATION DU TUYAU D'INJECTION**

Voir la figure 6.

Le flexible d'injection doit être installé avant de pouvoir utiliser du détergent dans la machine.

- Engager fermement l'extrémité libre du flexible d'injection transparent sur le raccord, comme illustré.
- Placer l'extrémité du flexible dotée du filtre dans la bouteille de détergent.

## **ASSEMBLAGE DE POIGNÉE DE GÂCHETTE**

Voir la figure 7.

- Engager l'extrémité filetée de la lance de pulvérisation dans le connecteur de la poignée de gâchette.
- Tourner le connecteur à fond vers la droite. Ceci assujettit la lance de pulvérisation.

## **BRANCHEMENT DU FLEXIBLE HAUTE PRESSION SUR DE POIGNÉE DE GÂCHETTE**

Voir figure 8.

- Visser le collier du flexible sur le raccord de la poignée de gâchette en le tournant vers la droite.
- Tirer sur le tuyau pour s'assurer qu'il est correctement bloqué.

## **CONNEXION DU FLEXIBLE HAUTE PRESSION SUR LA POMPE**

Voir la figure 9.

- Aligner le collier sur le téton fileté de la pompe.
- Insérer la collier du flexible haute pression dans le téton fileté.
- Tourner le collier vers la droite et la serrer fermement sur la pompe.
- Tirer sur le tuyau pour s'assurer qu'il est solidement assujetti.

## **CONNEXION DU TUYAU D'ARROSAGE AU NETTOYEUR HAUTE PRESSION**

Voir la figure 10.

L'eau doit provenir d'un réseau de distribution d'eau propre (par ex. le public arrose principal ou bien) avec les spécifications suivantes :

- débit de 30,3 LPM (8 GPM) (minimum)
- 2 bar (30 PSI) (minimum)

NE JAMAIS utiliser de l'eau chaude ou stagnante provenant de piscines, de lacs, etc. Utiliser uniquement un tuyau d'arrosage de bonne qualité et renforcé con-forme aux exigences suivantes :

- tuyau de 16 mm (5/8 po) de diamètre (minimum), 19 mm (3/4 po) recommandé

- Faire circuler l'eau dans le flexible pendant 30 secondes pour le débarrasser des débris.
- Inspecter le tamis dans l'arrivée d'eau.
- Si le tamis est endommagé, ne pas utiliser l'équipement avant d'avoir remplacé le tamis.
- Si le tamis est sale, le nettoyer avant de connecter le tuyau d'arrosage à l'équipement.

### **Pour connecter le tuyau d'arrosage à l'équipement :**

- Dérouler le tuyau d'arrosage.

**NOTE :** Il doit y avoir un minimum de 3 m (10 pi) de tuyau entre l'admission du nettoyeur haute pression et le robinet de tuyau ou le robinet de sectionnement (comme un connecteur de sectionnement en « Y »).

- Le robinet de tuyau étant complètement fermé, fixer l'extrémité du tuyau d'arrosage sur l'arrivée d'eau. Serrer à la main.

## **INSTALLATION DU BOUCHON/JAUGE D'HUILE DE LA POMPE**

Voir les figures 11 et 23.

Lorsqu'elle est expédiée de l'usine, la pompe comprend un bouchon sans évent qui doit être remplacé avant d'utiliser la laveuse à pression. Consulter la figure 23 pour connaître l'emplacement du capuchon.

- Retirer le bouchon sans évent rouge du réservoir d'huile de la pompe qui est installé sur la laveuse à pression et le jeter.
- Installer le bouchon/jauge à évent jaune du réservoir d'huile de la pompe et le serrer solidement.

# UTILISATION

## **AVERTISSEMENT :**

Ne pas laisser la familiarité avec ce produit faire oublier la prudence. Ne pas oublier qu'une fraction de seconde d'inattention peut entraîner des blessures graves.

## **AVERTISSEMENT :**

Toujours porter une protection oculaire certifiée conforme à la norme ANSI Z87.1. Si cette précaution n'est pas prise, des objets peuvent être projetés dans les yeux et causer des lésions graves.

## **AVERTISSEMENT :**

Ne pas utiliser d'outils ou accessoires non recommandés par le fabricant de ce produit. L'utilisation de pièces et accessoires non recommandés peut entraîner des blessures graves.

## **AVERTISSEMENT :**

Ne jamais diriger le jet d'eau vers des personnes, animaux domestiques ou dispositifs électriques. Le non-respect de cet avertissement pourrait entraîner des blessures graves.

## APPLICATIONS

Ce produit peut être utilisé pour les applications suivantes :

- Enlever la saleté et les moisissures des terrasses, patios en ciment et parements de maison
- Nettoyage de véhicules, bateaux, motos, meubles de jardins et grills

## AJOUT/VÉRIFICATION DE LUBRIFIANT

Voir la figure 12.

**NOTE :** Cet équipement a été expédié avec environ 2 oz lubrifiant dans le moteur, résultant des essais.

## **ATTENTION :**

Toute tentative de démarrage du moteur sans avoir fait l'appoint lubrifiant entraînera une défaillance.

### **Pour ajouter de l'huile à moteur :**

- Poser le nettoyeur haute pression sur une surface plane et horizontale.
- Dévisser le bouchon / jauge d'huile en le tournant dans le sens inverse des aiguilles d'une montre.
- Faire l'appoint en remplissant lubrifiant moteur 4 temps (SAE 30, SAE 10W30) jusqu'au niveau supérieur de la goulotte de remplissage (flacon lubrifiant moteur 4 temps de 32 oz fourni).
- Remettre le bouchon / jauge d'huile en place et le serrer fermement.

**NOTE :** La contenance en lubrifiant de ce moteur est de 1,1 litre (1,2 qt).

### **Pour vérifier le niveau d'huile du moteur :**

- Placer le moteur sur une surface plane.
- Essuyer la jauge et l'insérer de nouveau dans le trou sans visser.
- Retirer une nouvelle fois la jauge et vérifier le niveau de lubrifiant. Le niveau de lubrifiant doit se trouver dans la zone hachurée de la jauge.
- Si le niveau est bas, ajouter de le lubrifiant moteur jusqu'à ce que le niveau atteigne la portion supérieure de la zone hachurée sur la jauge.
- Réinstaller et serrer le bouchon d'huile/la jauge.

## **ATTENTION :**

Ne pas remplir à l'excès. Trop remplir le carter peut produire une fumée excessive et endommager le moteur.

## APPOINT D'ESSENCE

Voir la figure 13.

## **AVERTISSEMENT :**

L'essence et ses vapeurs sont extrêmement inflammables et explosives. Pour éviter blessures et dommages matériels, manipuler l'essence avec prudence. Garder à l'écart des sources d'allumage, manipuler en plein air uniquement, ne pas fumer lors de l'appoint de carburant et essuyer immédiatement tout carburant répandu.

Lors de l'appoint de carburant du nettoyeur haute pression, vérifier que la machine se trouve sur une surface plane et horizontale. Si le moteur est très chaud, laisser le nettoyeur haute pression refroidir avant d'ajouter de l'essence. TOUJOURS faire l'appoint de carburant à l'extérieur.

**NOTE :** Utiliser exclusivement de l'essence sans plomb. NE PAS MÉLANGER lubrifiant et l'essence.

- Avant de retirer le bouchon du réservoir d'essence, nettoyer son pourtour. Retirer le bouchon du réservoir de carburant.
- Insérer un entonnoir propre dans le réservoir et verser le carburant lentement. Remplir le réservoir jusqu'à environ 40 mm (1-1/2 po) au dessous du bord de la goulotte de remplissage (pour permettre la dilatation du carburant).
- Remettre le bouchon / jauge de carburant en place et le serrer fermement le bouchon "hasta que trabe".
- Essuyer tout carburant répandu avant de lancer le moteur.

## CARBURANTS OXYGÉNÉS

Certains carburants standard sont mélangés avec de l'alcool ou de l'éther. Ces carburants sont généralement appelés carburants oxygénés. Pour la conformité aux normes antipollution, certaines régions des États-Unis et

# UTILISATION

du Canada utilisent des carburants oxygénés pour réduire les émissions.

Si du carburant oxygéné est utilisé, s'assurer qu'il est sans plomb et conforme aux exigences d'indice d'octane minimum. Avant d'utiliser du carburant oxygéné, essayer de connaître le contenu du carburant. Certains états/provinces requièrent que cette information soit indiquée sur la pompe. Voici les pourcentages approuvés par l'EPA :

**Éthanol (éthyle ou alcool de grain) 10 % par volume.** Il est permis d'utiliser de l'essence contenant jusqu'à 10 % d'éthanol par volume. L'essence contenant de l'éthanol peut être vendue sous le nom de Gasohol. **Ne pas utiliser le carburant E85.**

**Éther méthyl-tertiobutylique 15 % par volume.** Il est permis d'utiliser de l'essence contenant jusqu'à 15 % d'éther méthyltertiobutylique par volume.

**Méthanol (méthyle ou alcool de bois) 5 % par volume.** Il est permis d'utiliser de l'essence contenant jusqu'à 5 % de méthanol par volume tant qu'il contient également des cosolvants et des agents antirouille pour protéger le circuit de carburant. L'essence contenant plus de 5 % de méthanol par volume peut entraîner des problèmes de démarrage ou de performance. Elle peut également endommager les pièces en métal, en plastique et en caoutchouc de produit ou du circuit de carburant.

Si un symptôme de fonctionnement non souhaité est noté, essayer une autre station-service ou changer de marqueur d'essence.

**NOTE :** Les dommages au circuit de carburant et les problèmes de performance résultant de l'utilisation de carburant oxygéné contenant des pourcentages supérieurs à ceux indiqués précédemment ne sont pas couverts par la garantie.

## MISE EN MARCHÉ / ARRÊT DU NETTOYEUR HAUTE PRESSION

*Voir les figures 14 à 16.*

### ATTENTION :

Ne pas faire fonctionner la pompe sans qu'elle soit alimentée en eau.

#### Avant de lancer le moteur:

- Connecter tous les flexibles.
- Vérifier les niveaux de liquides (lubrifiant et carburant).
- Dérouler le tuyau haute pression du bobine.
- Ouvrir l'eau du tuyau d'arrosage et appuyer sur la gâchette pour purger l'air. Continuer d'appuyer sur la gâchette jusqu'à ce que l'eau s'écoule régulièrement.

#### Lancement du moteur :

- Placer le levier du robinet de carburant sur marche.
- Si le moteur est froid, placer le levier de volet de départ en position fermée. Pendant que le moteur chauffe, mettre le levier de volet de départ lentement en position ouverte.

Si le moteur est chaud, placer le levier de volet de départ en position ouverte.

- Écarter le levier des gaz de la position MAX (à droite) à environ 1/3 de sa course vers la position MIN (à gauche).
- Placer le commutateur du moteur sur **MARCHE (I)**.
- Saisir le lanceur à rappel à cordon et tirer lentement jusqu'à ce qu'une résistance se fasse sentir. Tirer d'un coup sec sur le lanceur à rappel pour démarrer le moteur.

**NOTE :** Si le moteur ne démarre pas après plusieurs tentatives, appuyer sur la gâchette pour relâcher la pression et reprendre la procédure normale de démarrage.

- Mettre le levier d'accélérateur à la position MAX une fois que le moteur tourne.

#### Arrêt du moteur :

- Mettre le levier des gaz en position MIN.
- Placer le commutateur du moteur sur **ARRÊT (O)**.
- Tourner le levier du robinet de carburant sur arrêt.

## FONCTIONNEMENT POIGNÉE DE GÂCHETTE

*Voir les figures 17 et 18.*

Pour un meilleur contrôle et une plus grande sécurité d'utilisation, toujours tenir la poignée de gâchette à deux mains.

- Appuyer sur la gâchette et la maintenir enfoncée pour actionner le nettoyeur haute pression.
- Relâcher la gâchette pour arrêter le jet d'eau de la buse.

#### Pour engager le verrouillage :

- Appuyer sur le bouton de verrouillage jusqu'à ce qu'il s'enclenche dans la fente.

#### Pour désengager le verrouillage :

- Appuyer sur le bouton de verrouillage pour le mettre dans sa position originale.

Pour une efficacité maximum, la buse doit être tenue à une distance de 203 à 610 mm (8 à 24 po) de la surface à nettoyer. Si la buse est trop proche, le jet peut endommager la surface.

## SÉLECTIONNER LA BUSE À RACCORD RAPIDE APPROPRIÉE POUR LA TÂCHE

*Voir la figure 19.*

Avant de commencer tout nettoyage, sélectionner la buse convenant le mieux pour l'application. Chacune de buses offre une configuration de jet différente. Les différentes configurations sont : Buse 40° (pour un rinçage en douceur), buse 25° (pour une utilisation générale sur les grandes surfaces), buse 15° (travaux de nettoyage les plus durs), buse 0° (pour nettoyer les taches ou travailler dans les endroits difficiles d'accès) et buse de couleur noire pour utiliser des détergents.

# UTILISATION



## AVERTISSEMENT :

NE JAMAIS changer de buse sans d'abord verrouiller le dispositif de verrouillage sur la poignée de gâchette et ne jamais pointer la lance en direction du visage ou d'autres personnes. Le dispositif de raccord rapide contient de petits ressorts qui peuvent éjecter la buse avec force. Le non-respect de cette précaution peut entraîner des blessures.

Le collier de raccord rapide facilite le remplacement de la buse

### Pour installer une buse sur la poignée de gâchette :

- Arrêter le nettoyeur et fermer l'arrivée d'eau. Appuyer sur la gâchette pour relâcher la pression d'eau.
- Verrouiller la poignée de gâchette en poussant sur le bouton de verrouillage jusqu'à ce qu'il s'engage dans la fente.
- Tirer la bague à connexion rapide vers l'arrière.
- Insérer en place la buse dans la lance d'arrosage.
- Poussez en avant la bague de manière à ce que la buse soit fixée solidement et vérifier le tout.

### Pour retirer une buse de la poignée de gâchette une fois le nettoyage terminé :

- Arrêter le nettoyeur et fermer l'arrivée d'eau. Appuyer sur la gâchette pour relâcher la pression d'eau.
- Verrouiller la poignée de gâchette en poussant sur le bouton de verrouillage jusqu'à ce qu'il s'engage dans la fente.
- Pour retirer la buse, tirer la bague à connexion rapide vers l'arrière, retirer la buse, puis pousser de nouveau la bague vers l'avant. Placer la buse dans le compartiment de rangement des buses situé sur le dessus de l'unité.

## NETTOYAGE AVEC DU DÉTERGENT

Voir la figure 20.

Utiliser uniquement des détergents conçus pour les nettoyeurs haute pression ; les produits ménagers, les acides, alcalines, agents de blanchiment, solvants, les produits inflammables, ou les solutions qualité industrielle pourraient endommager la pompe. De nombreux détergents ou produits chimiques doivent être mélangés avant l'emploi. Préparer la solution de nettoyage selon les instructions du flacon de solution.

- Placer le tuyau pour l'injection au fond de la bouteille ou du contenant de détergent.
- Installer la buse de couleur noire sur la lance d'arrosage.

- Pulvériser le détergent sur une surface sèche à l'aide de mouvements longs, uniformes, se chevauchant. Pour éviter de laisser des marques, ne pas laisser le détergent sécher sur la surface.

### Avant d'arrêter le moteur :

- Placer le flexible d'injection dans un seau d'eau propre.
- Rincer pendant 1 à 2 minutes (pulvériser de l'eau propre avec la lancette).
- Arrêter le moteur.

**NOTE : Couper** le moteur (commutateur en position **(O)**) ne relâche pas la pression du système. Tirer sur la gâchette pour relâcher la pression d'eau.

## RINÇAGE AVEC LE NETTOYEUR HAUTE PRESSION

- Arrêter le nettoyeur et fermer l'arrivée d'eau. Appuyer sur la gâchette pour relâcher la pression d'eau.
- Verrouiller la poignée de gâchette en poussant sur le bouton de verrouillage jusqu'à ce qu'il s'engage dans la fente.
- Retirer la buse en plaçant la main sur la buse et tirer sur le collier du raccord rapide. Ranger la buse dans le compartiment du dessus de la machine prévu à cet effet.
- Sélectionner la buse appropriée pour le travail.
  - Utiliser la buse basse pression (verte) pour les articles tels que véhicules ou bateaux.
  - Utiliser la buse haute pression (rouge) pour des travaux tels que le décapage de peinture et le dégraissage d'allées. Avant d'utiliser ces buses, faire d'abord un essai sur une petite zone pour éviter d'endommager la surface.
- Commencer en haut de la zone à rincer et continuer vers le bas en faisant chevaucher les passes.

## DÉPLACEMENT DU NETTOYEUR HAUTE PRESSION

Voir la figure 21.

**NOTE :** Ne jamais soulever ce produit par la poignée de transport.

- Pour arrêter le nettoyeur.
- Soulever la poignée de manière à ce que les pattes soient à plat sur le sol, puis rouler l'unité à la position désirée.



# ENTRETIEN

## **AVERTISSEMENT :**

Utiliser exclusivement des pièces identiques à celles d'origine pour les réparations. L'usage de toute autre pièce pourrait créer une situation dangereuse ou endommager l'outil.

## **AVERTISSEMENT :**

Toujours porter des lunettes de sécurité étanches ou à coques latérales lors de l'utilisation d'outils motorisés ou des opérations de nettoyage à l'air comprimé. Si une opération dégage de la poussière, porter également un masque filtrant.

## **AVERTISSEMENT :**

Avant d'inspecter, nettoyer ou entretenir l'équipement, couper le moteur, attendre que toutes les pièces en mouvement s'arrêtent, déconnecter le fil de la bougie et l'écarter de la bougie. Le non-respect de ces instructions peut entraîner des blessures graves ou des dégâts matériels.

## ENTRETIEN GÉNÉRAL

Éviter d'utiliser des solvants pour le nettoyage des pièces en plastique. La plupart des matières plastiques peuvent être endommagées par divers types de solvants du commerce. Utiliser un chiffon propre pour éliminer la saleté, la poussière, l'huile, la graisse, etc.

## **AVERTISSEMENT :**

Ne jamais laisser de liquides tels que le fluide de freins, l'essence, les produits à base de pétrole, les huiles pénétrantes, etc., entrer en contact avec les pièces en plastique. Les produits chimiques peuvent endommager, affaiblir ou détruire le plastique, ce qui peut entraîner des blessures graves.

Seules les pièces figurant sur la liste de contrôle sont conçues pour être réparées ou remplacées par l'utilisateur. Toutes les autres pièces doivent être remplacées dans un centre de réparations agréé.

## ENTRETIEN DE BUSE

Voir la figure 22.

Une pression de pompe excessive (sensation d'impulsion au serrage de la gâchette) peut être le résultat d'une buse bouchée ou sale.

- Arrêter le nettoyeur et fermer l'arrivée d'eau. Appuyer sur la gâchette pour relâcher la pression d'eau.
- Retirer la buse de la lance de pulvérisation.

**NOTE :** Ne jamais diriger la lance de pulvérisation vers le visage.

- À l'aide d'un trombone droit ou d'un outil pour nettoyer les buses (non fourni), retirer toute matière étrangère engorgeant ou obstruant la buse.
- À l'aide d'un tuyau d'arrosage, rincer les débris de la buse en rinçant à l'envers (en dirigeant le jet de l'extérieur vers l'intérieur).
- Reconnecter la buse sur la lancette.
- Ouvrir l'arrivée d'eau et démarrer le moteur.

## VÉRIFICATION/AJOUT DE LUBRIFIANT POUR POMPE

Voir la figure 23.

Vérifier le niveau de lubrifiant de la pompe après les 50 premières heures d'utilisation. Pour le reste de la durée de vie de la laveuse à pression, il est nécessaire de vérifier le niveau de lubrifiant de la pompe à toutes les 100 heures d'utilisation.

**NOTE :** Si vous constatez une fuite de lubrifiant autour des joints d'étanchéité de la pompe, confiez la réparation de la laveuse à pression à un centre de réparations agréé.

### Pour vérifier le niveau de lubrifiant de la pompe :

- Placer la laveuse à pression sur une surface plane.
- Retirer le bouchon/jauge d'huile du réservoir de la pompe, essuyer la jauge d'huile et la réinsérer dans le trou; ne pas visser le bouchon.
- Retirer de nouveau la jauge d'huile et vérifier le niveau de lubrifiant. Celui-ci doit être compris entre les niveaux minimal et maximal indiqués sur la jauge.
- Si le niveau est faible, ajouter de l'huile pour pompe jusqu'à ce que le niveau monte à la section « MAX » de la jauge.
- Replacer le bouchon/jauge du réservoir d'huile de la pompe et le serrer solidement.

### Pour ajouter de l'huile pour pompe :

- Dévisser le bouchon/jauge du réservoir d'huile de la pompe et le retirer.
- À l'aide d'un entonnoir, ajouter de le lubrifiant de transmission universelle pour tracteurs dans l'orifice de remplissage de l'huile.
- Remettre en place le bouchon/jauge du réservoir d'huile et fermer de façon étanche.

## REMISAGE DU NETTOYEUR HAUTE PRESSION

Voir la figure 24.

Ranger le nettoyeur à haute pression après avoir soit vidé le réservoir de carburant, soit brûlé tout le carburant en laissant tourner le moteur. Laisser la machine refroidir pendant environ 30 minutes avant de la remiser. Remiser la machine dans un endroit sec à l'abri des intempéries.



# ENTRETIEN

Il est important de remiser ce produit à l'abri du gel. Toujours vider l'eau de tous les flexibles, de la pompe, du réservoir de carburant et du seau de détergent avant de remiser l'équipement.

**NOTE :** L'utilisation d'un stabilisateur de carburant et économiseur de pompe assure une meilleure performance et augmente la durabilité de l'équipement.

## **Carburant de décharge :**

Vider complètement le réservoir de carburant. L'essence stockée peut s'évaporer en 30 jours.

## **Lubrifiant moteur :**

Vider lubrifiant et la remplacer par de lubrifiant fraîche et propre.

**NOTE :** Consulter les lignes directrices relatives à la gestion des déchets dangereux dans votre secteur afin de connaître la façon appropriée de se débarrasser de l'huile usée et du vieux carburant.

## **Bougie :**

■ Déconnecter le fil de bougie et retirer la bougie. Verser environ une cuillère à thé lubrifiant propre pour moteur quatre temps refroidi par air, par le trou de bougie, dans la chambre de combustion.

- La bougie étant retirée, tirer deux ou trois fois sur le cordon lanceur pour enduire l'intérieur de la paroi de cylindre.
- Inspecter la bougie et nettoyer ou remplacer, selon le besoin.
- Réinstaller la bougie, mais laisser son fil débranché.

## **Filtre à air :**

- Nettoyer le filtre à air ou le remplacer en utilisant des pièces Honda authentiques.

## **Flexibles et pompe :**

Rincer le tuyau d'injection à l'eau propre pendant 1 à 2 minutes. Retirer tous les flexibles. Vider la pompe en tirant environ 6 fois sur le lanceur à rappel. Ceci doit retirer la plupart du liquide de la pompe.

## **REMISE EN SERVICE APRÈS REMISAGE**

- Tirer trois ou quatre fois la poignée de lanceur à rappel pour évacuer lubrifiant de la chambre de combustion.
- Retirer la bougie du cylindre. Essuyer lubrifiant de la bougie et la remettre en place dans le cylindre.
- Reconnecter le fil de bougie.
- Approvisionner la machine en carburant, comme indiqué plus haut dans ce manuel d'utilisation.

# DÉPANNAGE

PROBLÈME	CAUSE POSSIBLE	SOLUTION
Le moteur ne démarre pas	<ol style="list-style-type: none"> <li>1. Pas de carburant dans le réservoir</li> <li>2. Bougie encrassée ou noyée</li> <li>3. La bougie est cassée (porcelaine fissurée ou électrodes cassées)</li> <li>4. Fil d'allumage en court-circuit, coupé ou débranché</li> <li>5. Pas d'allumage</li> <li>6. Le niveau de lubrifiant est faible</li> </ol>	<ol style="list-style-type: none"> <li>1. Remplir le réservoir</li> <li>2. Remplacer la bougie</li> <li>3. Remplacer la bougie</li> <li>4. Remplacer le fil ou le brancher sur la bougie</li> <li>5. Contacter un centre de réparations agréé</li> <li>6. Vérifier le niveau de lubrifiant; au besoin, ajouter de l'huile pour moteur, tel que décrit précédemment dans ce manuel</li> </ol>
Moteur difficile à démarrer	<ol style="list-style-type: none"> <li>1. Eau dans le carburant</li> <li>2. Étincelle de bougie faible</li> <li>3. Le levier de la manette des gaz est réglé à la position « MIN »</li> </ol>	<ol style="list-style-type: none"> <li>1. Vidanger l'ensemble du système et remplir de carburant frais</li> <li>2. Contacter un centre de réparations agréé</li> <li>3. Régler le levier de la manette des gaz à la position « MAX »</li> </ol>
Le moteur manque de puissance	<ol style="list-style-type: none"> <li>1. Filtre à air encrassé</li> </ol>	<ol style="list-style-type: none"> <li>1. Nettoyer ou remplacer le filtre à air</li> </ol>
Le détergent ne se mélange pas au jet d'eau	<ol style="list-style-type: none"> <li>1. Le flexible d'injection n'est pas correctement immergé</li> <li>2. Buse haute pression installée</li> </ol>	<ol style="list-style-type: none"> <li>1. Plonger le flexible mélange pas au jet dans le réservoir o bouteille de détergent</li> <li>2. Utiliser la buse basse pression (noire) pour appliquer le détergent</li> </ol>
La pompe ne produit pas de pression	<ol style="list-style-type: none"> <li>1. Buse basse pression installée</li> <li>2. Débit d'alimentation en eau insuffisant</li> <li>3. La poignée de gâchette ou fuites à la lance de pulvérisation</li> <li>4. Buse obstruée</li> <li>5. Pompe défectueuse</li> <li>6. Air dans la conduite</li> </ol>	<ol style="list-style-type: none"> <li>1. Remplacer par la buse haute pression</li> <li>2. Fournir un débit d'eau adéquat</li> <li>3. Vérifier des connexions et/ou remplacer la lancette</li> <li>4. Nettoyer la buse</li> <li>5. Contacter un centre de réparations agréé</li> <li>6. Appuyer sur la gâchette de la lancette pour chasser l'aire de la conduite</li> </ol>
La machine ne parvient pas à la pression correcte de fonctionnement	<ol style="list-style-type: none"> <li>1. Diamètre du flexible insuffisant</li> <li>2. Arrivée d'eau réduite</li> <li>3. Alimentation en eau insuffisant</li> <li>4. Buse incorrecte installée</li> </ol>	<ol style="list-style-type: none"> <li>1. Remplacer par un tuyau d'arrosage de 19 mm (3/4 po)</li> <li>2. S'assurer que le tuyau n'est pas entortillé ou obstrué et qu'il ne présente pas de fuites</li> <li>3. Ouvrir complètement le robinet d'eau</li> <li>4. Installer la buse haute pression</li> </ol>

# GARANTIE

## DÉCLARATION DE GARANTIE LIMITÉE (MOTEUR EXCLU)

OWT Industries Inc. garantit à l'acheteur au détail original que toute laveuse à pression de marque BLACK MAX® achetée aux États Unis, au Canada ou au Mexique est exempte de tout vice de matériau ou de fabrication et s'engage à réparer ou remplacer, à discrétion, tout produit s'avérant défectueux au cours de la période indiquée ci dessous, à compter de la date d'achat :

Deux ans sur les produits utilisés par des particuliers.

Cette garantie n'est offerte qu'à l'acheteur au détail original et entre en vigueur à la date de l'achat au détail original.

Toute pièce de ce produit jugée, après évaluation raisonnable par OWT Industries Inc., comme présentant des vices de matériau ou de fabrication, sera réparée ou remplacée pendant la période de la garantie par un centre de réparations agréé spécialisé dans les laveuses à pression de marque BLACK MAX® (centre de réparations agréé des produits BLACK MAX®), sans frais de pièces ou de main d'œuvre.

Le produit, y compris toutes les pièces défectueuses, devra être retourné à un centre de réparations agréé des produits BLACK MAX® avant expiration de la période de garantie. Les frais d'expédition au centre de réparations pour des réparations sous garantie ainsi que ceux de retour au propriétaire du produit après réparation ou remplacement seront assumés par le propriétaire. En ce qui concerne les réclamations en garantie, la responsabilité de OWT Industries Inc. se limitera aux réparations ou au remplacement des pièces défectueuses et aucune réclamation au titre du non respect de la garantie ne pourra causer l'annulation ou la résiliation du contrat de vente d'une laveuse à pression de marque BLACK MAX® quelle qu'elle soit.

**CONSERVER LES REÇUS DE VENTE.** Une preuve d'achat sera exigée par le centre de réparation, afin de valider toute réclamation au titre de la garantie. Toutes les réparations sous garantie devront être effectuées par un centre de réparations agréé des produits BLACK MAX®.

Cette garantie ne couvre pas les produits ayant fait l'objet d'un usage abusif ou négligent, ayant manqué d'entretien, ayant été impliqués dans un accident ou employés à des fins commerciales ou de location ou de façon contraire aux instructions contenues dans le manuel d'utilisation. Cette garantie ne couvre pas les dommages aux produits résultant d'une usure normale, d'une modification, d'un manque d'entretien, de l'utilisation de pièces de rechange non autorisées, ou d'un entretien effectué par quiconque autre que le centre de réparations agréé des produits BLACK MAX®.

En outre, la présente garantie exclut :

A. Mises au point – filtres à air, filtres à essence, bougies;

B. Moteur – Ce produit comprend un moteur qui est couvert exclusivement par une garantie distincte de son fabricant. Veuillez consulter le manuel du moteur fourni avec le produit pour trouver des renseignements sur la garantie du moteur;

C. Éléments usés – tuyaux, raccords, buses de pulvérisation, roues, lance de pulvérisation, seau à détergent, réservoir de détergent.

OWT Industries Inc. se réserve le droit d'apporter des modifications ou des améliorations à tout produit de marque BLACK MAX® sans obligation de modifier les produits fabriqués antérieurement.

LA DURÉE DE TOUTE GARANTIE IMPLICITE NE SAURAIT EN AUCUN CAS EXCÉDER LA PÉRIODE DE GARANTIE DÉCLARÉE. TOUTES LES GARANTIES IMPLICITES, Y COMPRIS LES GARANTIES DE VALEUR MARCHANDE OU D'ADÉQUATION À UN USAGE PARTICULIER OU AUTRES SERONT INVALIDÉES, DANS TOUTE LA MESURE PERMISE PAR LA LOI. OWT INDUSTRIES INC. DÉCLINE TOUTE RESPONSABILITÉ EN CE QUI CONCERNE LES DOMMAGES DIRECTS, INDIRECTS OU AUTRES. LES OBLIGATIONS DE OWT INDUSTRIES INC. DANS LE CADRE DE CETTE GARANTIE SE LIMITENT EXCLUSIVEMENT À LA RÉPARATION OU AU REMPLACEMENT DES PIÈCES DÉFECTUEUSES ET OWT INDUSTRIES INC. N'ASSUME, NI AUTORISE QUICONQUE À ASSUMER EN SON NOM, QUELQUE AUTRE OBLIGATION QUE CE SOIT. CERTAINS ÉTATS ET CERTAINES PROVINCES NE PERMETTENT PAS D'EXONÉRATION OU DE RÉSERVE POUR CE QUI EST DE LA COUVERTURE DES DOMMAGES DIRECTS OU CONSÉCUTIFS ET DE LA DURÉE DE TOUTE GARANTIE IMPLICITE; IL SE PEUT DONC QUE L'EXONÉRATION DÉCRITE PRÉCÉDEMMENT NE PUISSE S'APPLIQUER.

La présente garantie donne au consommateur des droits spécifiques, et il peut bénéficier d'autres droits, qui varient selon les états ou les provinces.

Pour obtenir l'adresse du centre de réparations agréé des produits BLACK MAX® le plus proche, appeler le 1-800-726-5760.

# INSTRUCCIONES DE SEGURIDAD IMPORTANTES



## ADVERTENCIA:

Lea y comprenda todas las instrucciones. El incumplimiento de todas las instrucciones siguientes puede causar descargas eléctricas, incendio o intoxicación por monóxido de carbono, lo cual puede causar la muerte o lesiones graves.

## LEA TODAS LAS INSTRUCCIONES

- **Familiarícese con la herramienta.** Lea cuidadosamente el manual del operador. Aprenda los usos y limitaciones de la máquina, así como los posibles peligros específicos de esta herramienta.
- **Mantenga las protecciones en su lugar** y en buenas condiciones de trabajo. Nunca utilice la herramienta con ninguna de las protecciones o cubiertas quitadas. Asegúrese de que todas las protecciones estén funcionando de forma correcta antes de utilizar la unidad.
- **Retire toda llave y herramienta de ajuste.** Adquiera el hábito de verificar que se haya retirado de la herramienta eléctrica toda llave y herramienta de ajuste antes de encenderla.
- **Para reducir el riesgo de lesiones,** mantenga a alejados a niños y demás circunstantes. Todos los presentes deben llevar puestos anteojos de seguridad y permanecer a una distancia segura del área de trabajo.
- **Mantenga alejadas del área de trabajo a todas las personas,** particularmente a los niños de corta edad, y también a las mascotas.
- **No haga funcionar el motor en un espacio confinado** donde se puedan recolectar las emanaciones de monóxido de carbono. El monóxido de carbono, un gas incoloro, inodoro y sumamente peligroso, puede causar la pérdida de la conciencia o la muerte.
- **Use la herramienta adecuada a la tarea.** No fuerce la herramienta ni ningún accesorio a efectuar tareas para las que no están hechos. No la use para propósitos no indicados en las instrucciones.
- **Vístase adecuadamente.** No vista ropas, guantes, corbatas o joyas holgadas. Pueden resultar atrapadas y tirar de usted hacia piezas en movimiento. Se recomiendan guantes y calzado antiderrapantes al trabajar al aire libre. Si tiene el pelo largo cúbrase de alguna manera para contenerlo.
- **No accione el equipo cuando esté descalzo o al llevar puestas sandalias o calzado liviano similar.** Use calzado de seguridad que le proteja sus pies y mejore su postura en superficies resbaladizas.
- **Tenga suma precaución para evitar resbalarse o caer.**
- **Siempre use gafas de seguridad con protección lateral.** Los anteojos de uso diario tienen lentes resistentes a golpes únicamente; **NO** son anteojos de seguridad.
- **No se estire ni se pare en un soporte inestable.** Mantenga una postura firme y buen equilibrio en todo momento.
- **Utilice sólo accesorios recomendados.** El empleo de accesorios inadecuados puede presentar riesgos de lesiones.
- **Siga las instrucciones de la mantenimiento especificadas en este manual.**
- **Inspeccione las piezas dañadas.** Antes de seguir utilizando la herramienta, es necesario inspeccionar cuidadosamente toda protección o pieza dañada para determinar si funcionará correctamente y desempeñará la función a la que está destinada. Verifique la alineación de las partes móviles, que no haya atoramiento de las mismas, que no haya piezas rotas, el montaje de las piezas y cualquier otra condición que pudiera afectar su funcionamiento. Toda protección o pieza que esté dañada debe repararse apropiadamente o reemplazarse en un centro de servicio autorizado.
- **Nunca deje desatendida ninguna herramienta en funcionamiento. Apague la herramienta.** No se aleje de la herramienta hasta no verla completamente detenida.
- **Conserve el motor limpio de césped, hojas o grasa** a fin de reducir el riesgo de incendio.
- **Mantenga el tubo de escape libre de objetos extraños.**
- **Siga las recomendaciones del fabricante para lograr la carga, descarga, transporte y almacenamiento seguros de la máquina.**
- **Familiarícese completamente con los controles.** Aprenda a detener la máquina y a liberar rápidamente la presión.
- **Mantenga la herramienta seca, limpia y libre de aceite y grasa.** Siempre utilice un paño limpio para la limpieza de la unidad. Nunca utilice fluidos para frenos, gasolina, productos a base de petróleo ni solventes para limpiar la herramienta.
- **Permanezca alerta y en control.** Preste atención a lo que esté haciendo y aplique el sentido común. No utilice la herramienta cuando esté cansado. No se apresure.
- **No utilice la unidad si se encuentra bajo los efectos de drogas, alcohol o medicamentos.**
- **Revise el área de trabajo cada vez antes de utilizar esta herramienta.** Retire todos los objetos como piedras, vidrio roto, clavos, alambre o cuerda que puedan salir disparados o enredarse en la máquina.
- **No utilice la herramienta si el interruptor no apaga.** Lleve todo interruptor defectuoso a un centro de servicio autorizado para que lo reparen.
- **Antes de limpiar, reparar o inspeccionar la máquina,** apague el motor y cerciórese de que se hayan detenido todas las partes en movimiento. Desconecte el cable de la bujía, y mantenga dicho cable alejado de la bujía para evitar el arranque accidental de la unidad.
- **Evite tener un entorno de trabajo peligroso.** No utilice herramientas eléctricas en lugares húmedos o mojados ni las exponga a la lluvia. Mantenga bien iluminada el área de trabajo.
- **Nunca utilice la unidad en una atmósfera explosiva.** El chispeo normal del motor podría encender los gases presentes.
- **No utilice la unidad mientras fuma ni cerca de llamas abiertas.**
- **No utilice la unidad cerca de vegetación o ramas secas,** paños de textiles ni otros materiales inflamables.
- **ADVERTENCIA: Riesgo de inyección o de lesión** – No dirija el chorro hacia las personas.

# NORMAS DE SEGURIDAD ESPECÍFICAS

- **Nunca dirija un chorro de agua en dirección de personas o animales, ni hacia dispositivos eléctricos.**
- **Antes de iniciar cualquier operación de limpieza,** cierre puertas y ventanas. Despeje el área a limpiar y elimine cualesquier desechos, juguetes, muebles de patio u otros objetos que pudiesen crear un peligro.
- **Nunca alce ni transporte una máquina mientras se encuentre en marcha.**
- **Nunca ponga en marcha la máquina** si se ha formado hielo en cualquier parte del equipo.
- **No use soluciones ácidas, alcalinas, solventes, materiales inflamables o de grado industrial** en este producto. Estos productos pueden causar lesiones físicas al operador y daños irreparables a la máquina.
- **Siempre ponga en marcha la máquina** en superficies niveladas. Si el motor se encuentra inclinado, podría agarrarse debido a la lubricación insuficiente (incluso con el nivel de aceite al máximo).
- **ADVERTENCIA: Los chorros de alta presión pueden ser peligrosos si se utilizan indebidamente.** Nunca dirija el chorro a personas, animales, dispositivos eléctricos ni a la máquina misma.
- **Nunca intente efectuar ajuste alguno mientras el motor está en marcha** (excepto cuando así lo recomiende específicamente el fabricante).
- **Cuando el motor esté en marcha, es imperativo que las cubiertas de protección cubran las partes en movimiento.**
- **Mantenga la entrada de aire de enfriamiento** (el área del arrancador retráctil) y el lado del silenciador alejados un mínimo de 91 cm (tres pies) de cualquier edificación, obstrucciones y otros objetos combustibles.
- **Mantenga alejado el motor de materiales inflamables y de otros materiales peligrosos.**
- **Evite el contacto con las partes calientes de la unidad.** El silenciador y otras partes del motor se calientan mucho; tenga precaución.
- **No toque la bujía ni el cable de ignición** durante el arranque ni durante el funcionamiento del motor.
- **Cada vez antes de usar la unidad, inspeccione las mangueras de combustible y los acoplamientos pertinentes** para verificar que no estén flojos ni haya derrames de combustible.
- **Antes de cada uso, inspeccione los pernos y las tuercas** para verificar que están apretados. Una tuerca o perno sueltos pueden causar problemas graves en el motor.
- **Antes de inflar los neumáticos, asegúrese de que los pernos instalados en los cubos de la rueda estén firmemente ajustados.** El neumático se debe inflar utilizando sólo una bomba manual con una presión de inflado que no supere 206,8 kPa (30 psi). Controle la presión de los neumáticos antes y después de inflarlos con un manómetro confiable.
- **Siempre reabastezca el combustible al aire libre.** Nunca reabastezca el combustible en espacios interiores ni en áreas con ventilación insuficiente.
- **Nunca guarde la máquina con combustible en el tanque dentro de un edificio** donde haya presentes fuentes de ignición, como el agua caliente y calentadores locales, secadoras de ropa y cosas parecidas.
- **Si es necesario vaciar el tanque de combustible, hágalo al aire libre.**
- **Para reducir el riesgo de incendio o de lesiones por quemadura,** maneje con cuidado el combustible. Es sumamente inflamable.
- **No fume mientras esté mezclando el combustible o reabasteciendo el tanque.**
- **Reabastezca de combustible la unidad antes de arrancar el motor.** Nunca retire la tapa del tanque de combustible ni lo reabastezca mientras esté encendida o caliente la unidad.
- **Afloje la tapa del tanque de combustible lentamente** para aliviar la presión y evitar que se escape combustible por la tapa.
- **Vuelva a colocar firmemente la tapa del tanque de combustible y la del recipiente.**
- **Limpie todo el combustible que se haya derramado de la unidad.** Aléjese por lo menos 9 metros (30 pies) del sitio de reabastecimiento de combustible antes de encender el motor.
- **Si se derrama combustible,** no intente arrancar el motor; aleje la máquina del área del derramamiento y evite causar una fuente de ignición hasta que se disipen los vapores del combustible.
- **Nunca intente en ninguna circunstancia eliminar el combustible derramado quemándolo.**
- **Antes de guardar la unidad deje que se entrie el motor.**
- **Guarde la unidad en un lugar frío y bien ventilado,** a una distancia segura de todo equipo generador de chispas o llamas.
- **Guarde el combustible en recipientes diseñados específicamente para tal fin.**
- **Antes de transportar la unidad en un vehículo, vacíe el tanque de combustible e inmovilícela.**
- **Al dar servicio a la unidad, sólo utilice piezas de repuesto idénticas.** El empleo de piezas diferentes puede causar un peligro o dañar el producto.
- **Use SOLAMENTE agua fría.**
- **Asegúrese de que haya una distancia mínima de 914 mm (3 pies) de todo material combustible.**
- **Nunca rocíe cierra a la superficie** para ser limpiado como usted puede dañar la superficie.
- **Guarde estas instrucciones.** Consúltelas frecuentemente y utilícelas para instruir a otros usuarios. Si presta a alguien esta herramienta, facilítele también las instrucciones.



# SÍMBOLOS

Las siguientes palabras de señalización y sus significados tienen el objeto de explicar los niveles de riesgo relacionados con este producto.



SÍMBOLO	SEÑAL	SIGNIFICADO
	<b>PELIGRO:</b>	Indica una situación peligrosa inminente, la cual, si no se evita, causará la muerte o lesiones serias.
	<b>ADVERTENCIA:</b>	Indica una situación peligrosa posible, la cual, si no se evita, podría causar la muerte o lesiones serias.
	<b>PRECAUCIÓN:</b>	Indica una situación potencialmente peligrosa la cual, si no se evita, puede causar lesiones leves o moderadas.
	<b>PRECAUCIÓN:</b>	(Sin el símbolo de alerta de seguridad) Indica una situación que puede producir daños materiales.

Es posible que se empleen en esta producto algunos de los siguientes símbolos. Le suplicamos estudiarlos y aprender su significado. Una correcta interpretación de estos símbolos le permitirá utilizar mejor y de manera más segura la producto.

SÍMBOLO	NOMBRE	DENOMINACIÓN/EXPLICACIÓN
	Alerta de seguridad	Indica un peligro posible de lesiones personales.
	Alerta: Condiciones húmedas	No exponga la unidad a la lluvia ni la use en lugares húmedos.
	Lea el manual del operador	Para reducir el riesgo de lesiones, el usuario debe leer y comprender el manual del operador antes de usar este producto.
	Protección ocular	Cuando utilice este producto, póngase siempre gafas de seguridad o anteojos protectores con protección lateral, según sea necesario, y una careta protectora completa.
	Superficie caliente	Para reducir el riesgo de lesiones corporales o daños materiales evite tocar toda superficie caliente.
	Riesgo de inyecciones	Para reducir el riesgo de una inyección o lesión, nunca dirija un chorro de agua hacia personas o mascotas ni ponga ninguna parte del cuerpo en el chorro. Las fugas presentes en mangueras y acopladores también pueden causar lesiones por inyección. No sujete ninguna manguera ni acoplador.
	Riesgo de explosión	El combustible y los vapores del mismo son explosivos y pueden causar quemaduras graves e incluso la muerte.
	Riesgo de incendio	El combustible y los vapores del mismo son extremadamente inflamables y explosivos. El fuego puede causar quemaduras graves e incluso la muerte.
	Emanaciones tóxicas	Los aparatos de gasolina emiten monóxido de carbono, un gas tóxico incoloro e inodoro. Si se inhala monóxido de carbono puede causarse náusea, desmayo o la muerte.
	Contragolpe	Para reducir el riesgo de lesiones por un contragolpe, sujete firmemente el tubo rociador con ambas manos cuando esté encendida la máquina.

# SÍMBOLOS

Es posible que se empleen en esta producto algunos de los siguientes símbolos. Le suplicamos estudiarlos y aprender su significado. Una correcta interpretación de estos símbolos le permitirá utilizar mejor y de manera más segura la producto.

SÍMBOLO	NOMBRE	DENOMINACIÓN/EXPLICACIÓN
	Descarga eléctrica	Si no se usa la unidad en condiciones secas y no se observan prácticas seguras de trabajo, puede producirse una descarga eléctrica.
	Quemaduras químicas	Para reducir el riesgo de lesiones o daños físicos, NO USE SOLUCIONES ÁCIDAS, ALCALINAS, BLANQUEADORES, SOLVENTES, MATERIALES INFLAMABLES O DE GRADO INDUSTRIAL en este producto.

# CARACTERÍSTICAS

## ESPECIFICACIONES DEL PRODUCTO

Motor .....	Honda GX390
Capacidad del tanque de combustible .....	6,1 litros (1,61 gal)
Presión máxima* .....	27 579 kPa (4 000 psi)
Flujo máximo* .....	15,1 LPM (4,0 gpm)
Temperatura máxima de agua de cala .....	40 °C (104 °F)

\*Máximo que valora determinado por el estándar de PWMA 101, cuándo probado con boquilla roja

## FAMILIARÍCESE CON LA LAVADORA DE PRESIÓN

Vea la figura 1.

Para usar este producto con la debida seguridad se debe comprender la información indicada en la producto misma y en este manual, y se debe comprender también el trabajo que intenta realizar. Antes de usar este producto, familiarícese con todas las características de funcionamiento y normas de seguridad del mismo.

## INTERRUPTOR DEL MOTOR

El interruptor del motor se utiliza en combinación con el mango del arrancador retráctil para arrancar del motor. Además se utiliza para apagar del motor.

## TANQUE DE COMBUSTIBLE

Este tanque de combustible tiene una capacidad de 1,8 litros (0,48 gal). Use gasolina sin plomo para vehículos.

## MOTOR HONDA GX390

Este motor de Honda permite a la lavadora a presión alcanzar 27 579 kPa (4 000 libras por pulg. cuadrada) a una velocidad de 15,1 LPM (4,0 gpm). Lea el manual del motor incluido con este producto.

## CARRETE PARA GUARDAR LA MANGUERA

El carrito para guardar la manguera permite guardar rápida y fácilmente la manguera de alta presión cuando no está en uso.

## VÁLVULA DE LIBERACIÓN DE PRESIÓN

La válvula de liberación de presión evita que se acumulen niveles inseguros de presión en la lavadora a presión. No es poco común observar goteos ocasionales de la válvula.

## ARRANCADOR RETRÁCTIL

Con un tirón del arrancador retráctil se arranca el motor.

## SUPRESOR DE CHISPAS

Este motor no está equipado de fábrica con un supresor chispas. En algunas áreas es ilegal el operar un motor sin supresor de chispas. Hay disponible un supresor de chispas llame al departamento de atención al consumidor y le brindaremos asistencia.

## VÁLVULA DE SEGURIDAD TÉRMICA

Este dispositivo de la bomba evita que la temperatura del agua alcance un nivel peligroso; para ello, deja salir una pequeña cantidad de agua por una tapa del plástico. Una vez salida el agua, la válvula de seguridad térmica se reinicializa automáticamente.

## MANGO DEL GATILLO

El mango del gatillo dispone de una superficie de sujeción ranurada la cual proporciona control adicional de dicho tubo y reduce la fatiga del operador.

## GATILLO CON SEGURO

Al tirar del gatillo sale un chorro de agua para limpiar con alta presión. El seguro ofrece protección contra todo uso no autorizado.

# ARMADO

## DESEMPAQUETADO

Este producto requiere armarse.

- Corte cuidadosamente los lados de la caja y después retire la producto y cualesquier accesorios de la caja. Asegúrese de que estén presentes todos los artículos enumerados en la lista de empaquetado.

**NOTA:** Esta producto es pesada. Para evitar sufrir lesiones en la columna, levante con las piernas, no con la espalda, y obtenga ayuda cuando sea necesario.



### ADVERTENCIA:

Este producto nuevo ha sido enviado en una condición parcialmente armada como explica abajo. Inspeccionar cuidadosamente la lista de empaquetado debajo de asegurar que todos artículos vengan incluidas en el paquete. La lista de empaquetado explica todos artículos flojos que no son armado al producto como enviado. No utilice el producto si cualquier artículos de lista que empaquetado ya son reunidos a su producto cuando usted para desempaque. Llame el número de servicio de atención al cliente abajo para ayuda. Funcionamiento un producto que puede haber estado impropriadamente montado podría tener puede causar lesiones graves.

- Inspeccione cuidadosamente la producto para asegurarse de que no haya sufrido ninguna rotura o daño durante el transporte.
- No deseche el material de empaquetado hasta que haya inspeccionado cuidadosamente la producto y la haya utilizado satisfactoriamente.
- Si hay piezas dañadas o faltantes, le suplicamos llamar al 1-800-726-5760, donde le brindaremos asistencia.

## LISTA DE EMPAQUETADO

Lavadora de presión con conjunto de manguera y carrete

Mango del gatillo

Tubo rociador

Ruedas (2)

Soportes del pie (2)

Pernos (4)

Tuercas (4)

Eje

Arandelas (2)

Espaciadores (2)

Clips "E" (2)

Soportes para guardar el tubo rociador (2)

Tuerca de brida (4)

Boquilla de conexión rápida (5)

Manguera de inyección con filtro de inyección transparente

Tapa ventilada de aceite de la bomba con varilla de nivel

Lubricante para motor de 4 tiempos (SAE 30 y SAE 10W30)

Manual del operador



### ADVERTENCIA:

Si hay piezas dañadas o faltantes, no utilice esta producto sin haber reemplazado todas las piezas. Usar este producto con partes dañadas o faltantes puede causar lesiones serias al operador.



### ADVERTENCIA:

No intente modificar esta producto ni hacer accesorios no recomendados para la misma. Cualquier alteración o modificación constituye maltrato, el cual puede causar una condición peligrosa, y como consecuencia posibles lesiones serias.



### ADVERTENCIA:

Para evitar un arranque accidental que podría causar lesiones corporales graves, siempre desconecte el cable de la bujía del motor de la bujía misma al ensamblar las piezas.

**NOTA:** Ponga combustible ni lubricante en el lavadora a presión antes de instalar las pies y ruedas.

## INSTALACIÓN DE LOS SOPORTES DE PIES

Veá la figura 2.

- Localice los siguientes artículos:  
2 soportes del pie, 4 tuercas, 4 pernos
- Eleve el extremo de la lavadora a presión opuesto al arrancador retráctil hasta la altura suficiente para tener acceso a la parte inferior del bastidor; coloque firmemente cuñas debajo para apoyarla.
- Introduzca el perno a través del soporte de pie y, luego, a través del bastidor, como se muestra.
- Instale la tuerca y apriétela firmemente.
- Repita el proceso en el otro lado para instalar el segundo soporte de pie.

## INSTALACIÓN DE LAS RUEDAS

Veá la figura 3.

- Localice los siguientes artículos:  
Eje, 2 arandelas, 2 espaciadores, 2 ruedas, 2 clips "E"
- Eleve el extremo del lavadora de presión opuesto al mango hasta la altura suficiente para obtener acceso a la parte inferior del bastidor; coloque firmemente cuñas debajo para apoyarlo.
- Instale el eje a través del bastidor de la lavadora a presión.
- Coloque un separador sobre el eje.
- Deslice la rueda sobre el eje con el vástago de válvula orientado hacia afuera.
- Deslice la arandela sobre el eje; luego, asegure con un sujetador en "E".
- Para instalar la segunda rueda para el otro lado, repita el procedimiento.

## INFLAR LOS NEUMÁTICOS

Después de instalar las ruedas, use un manómetro para neumáticos de buena calidad para verificar el correcto inflado de los neumáticos.

- Desenrosque la tapa de plástico de la válvula de aire y déjela a un lado.
- Presione el manómetro para neumáticos contra la válvula y sujételo firmemente hacia abajo. Si oye un ruido sibilante, presione hacia abajo más fuerte hasta que el ruido cese.
- Lea el manómetro y agregue aire con una bomba manual, si es necesario. El inflado máximo del neumático para este producto es de 206,8 kPa (30 psi).

# ARMADO

## **ADVERTENCIA:**

Para reducir el riesgo de lesiones, no infle excesivamente los neumáticos de esta unidad. Durante el proceso de inflado, controle regularmente la presión con un manómetro confiable y nunca exceda 206,8 kPa (30 psi). Antes de agregar presión a los neumáticos, asegúrese de que los pernos en los cubos de la rueda estén ajustados firmemente.

**NOTA:** El neumático se debe inflar utilizando sólo una bomba manual con una presión de inflado. No use un compresor de aire.

## **AJUSTE DEL MANGO**

*Vea la figura 4.*

- Tire hacia afuera el pasador de aseguramiento del mango.
- Levante el mango para transporte y suelte el pasador de aseguramiento del mango para asegurar.
- **Para bajar:** levante levemente el mango para transporte y tire hacia afuera el pasador de aseguramiento del mango para soltar.

## **INSTALACIÓN DE LOS SOPORTES PARA GUARDAR EL TUBO ROCIADOR**

*Vea la figura 5.*

- Coloque el eje roscado del soporte para guardar a través de los orificios del bastidor de la lavadora a presión.
- Instale dos tuercas de brida y apriételas para asegurar.
- Repita el proceso para instalar el segundo soporte.

## **CÓMO CONECTAR LA MANGUERA DE INYECCIÓN**

*Vea la figura 6.*

Para poder utilizar detergente con esta máquina debe estar conectada la manguera de inyección.

- Monte firmemente el extremo abierto de la manguera transparente de inyección en el conector anillado, como se muestra.
- Coloque en la botella de detergente el extremo correspondiente al filtro de la manguera de inyección.

## **ARMADO DE MANGO DEL GATILLO**

*Vea la figura 7.*

- Coloque el extremo del tubo de roscado en el conector del extremo el mango del gatillo.
- Gire a la derecha el conector hasta que se detenga. De esta manera se asegura en su lugar el tubo de rociado.

## **CÓMO CONECTAR LA MANGUERA DE ALTA PRESIÓN AL MANGO DEL GATILLO**

*Vea la figura 8.*

- Enrosque el casquillo de la manguera de alta presión en el acoplador de entrada el mango del gatillo; para ello, gire a la derecha el casquillo de la manguera.
- Tire de la manguera para asegurarse de que esté debidamente asegurada.

## **CÓMO CONECTAR LA MANGUERA DE ALTA PRESIÓN A LA BOMBA**

*Vea la figura 9.*

- Alinee el casquillo con la conexión roscada de la bomba.
- Coloque el extremo del casquillo de la manguera de alta presión en la conexión roscada.
- Gire a la derecha el casquillo y fije firmemente la manguera a la bomba.
- Tire de la manguera para asegurarse de que esté debidamente asegurada.

## **CÓMO CONECTAR UNA MANGUERA DE JARDÍN A LA LAVADORA DE PRESIÓN**

*Vea la figura 10.*

El suministro de agua debe venir de una fuente limpia de agua (por ejemplo, la tubería de agua potable o un pozo) con las especificaciones siguientes:

- Velocidad de flujo de 30,3 LPM (8 GPM) (mínima)
- 2 bar (30 PSI) (mínima)

NUNCA utilice agua caliente o inmóvil de piscinas, lagos, etc. Utilice solamente una manguera de jardín reforzada de alta calidad con los siguientes requisitos:

- manguera de un diámetro (mínimo) de 16 mm (5/8 pulg.), de un diámetro (recomendado) de 19 mm (3/4 pulg.)
- Deje correr agua por la manguera durante 30 segundos para limpiar toda la basura que pueda haber en el interior de la misma.
- Inspeccione el cedazo de la entrada de agua.
- Si está dañado el cedazo, no utilice la máquina sino hasta haber reemplazado aquél.
- Si está sucio el cedazo, límpielo antes de conectar la manguera de jardín a la máquina.

### **Para conectar una manguera de jardín a la máquina:**

- Desenrolle la manguera de jardín.  
**NOTA:** Debe haber un mínimo de 3 metros (10 pies) de manguera sin ninguna restricción en el flujo de la misma, entre la entrada de la lavadora de presión y el grifo o válvula de cierre (como un conector de cierre en "Y").
- Teniendo el grifo de la manguera completamente cerrado, conecte el extremo de la manguera de jardín a la entrada de agua. Efectúe el apriete con la mano.

## **INSTALACIÓN DE LA TAPA DE ACEITE DE LA BOMBA CON VARILLA DE NIVEL**

*Vea las figuras 11 y 23.*

Cuando se envía de fábrica, la bomba tiene una tapa no ventilada que debe reemplazarse antes de usar la lavadora a presión. Vea la ubicación de la tapa en la figura 23.

- Retire la tapa roja no ventilada de aceite de la bomba instalada en la lavadora a presión y deséchela.
- Instale la tapa amarilla ventilada de aceite de la bomba con varilla de nivel y apriétela firmemente.

# FUNCIONAMIENTO

## **ADVERTENCIA:**

No permita que su familiarización con las herramientas lo vuelva descuidado. Tenga presente que un descuido de un instante es suficiente para causar una lesión grave.

## **ADVERTENCIA:**

Siempre póngase protección ocular con la marca de cumplimiento de la norma ANSI Z87.1. Si no cumple esta advertencia, los objetos que salen despedidos pueden producirle lesiones serias en los ojos.

## **ADVERTENCIA:**

No utilice ningún aditamento o accesorio no recomendado por el fabricante de este producto. El empleo de aditamentos o accesorios no recomendados podría causar lesiones serias.

## **ADVERTENCIA:**

Nunca dirija un chorro de agua en dirección de personas o animales, ni hacia dispositivos eléctricos. La inobservancia de esta advertencia podría causar lesiones serias.

## USOS

Este producto puede emplearse para los fines enumerados abajo:

- Retire la suciedad y el moho de las terrazas, patios de cemento y revestimientos de paredes
- Para limpiar vehículos, barcos deportivos, motocicletas, muebles para el exterior y parrillas para asar

## ABASTECIMIENTO Y VERIFICACIÓN DE LUBRICANTE

Vea la figura 12.

**NOTA:** Esta máquina se embarcó con cerca de dos onzas de lubricante de las pruebas en el motor. **Es necesario abastecer de lubricante el motor antes de arrancarlo por primera vez.**

## **PRECAUCIÓN:**

Cualquier intento de arrancar el motor sin abastecerlo de lubricante puede causar la descompostura del mismo.

### Para añadir lubricante para motor:

- Coloque la lavadora de presión sobre una superficie horizontal nivelada.
- Desenrosque la tapa del aceite con varilla de nivel; para ello, gírela a la izquierda.
- Vierta el lubricante para motor de cuatro tiempos (SAE 30 y SAE 10W30) y llene el depósito hasta el nivel superior

del cuello del filtro de aceite (se suministran 32 onzas de lubricante para motor de cuatro tiempos).

- Vuelva a colocar la tapa del aceite con varilla de nivel y apriétela firmemente.

**NOTA:** Este motor tiene una capacidad de lubricante de 1,1 litros (1,2 qt).

### Para verificar el nivel de lubricante para motor:

- Coloque el motor sobre una superficie plana.
- Limpie la varilla de nivel y vuelva a asentarla en el agujero; no la enrosque.
- Retire de nuevo la varilla medidora de lubricante y verifique el nivel de lubricante. El nivel de aceite siempre debe estar dentro del área cubierta con rayas entrecruzadas de la varilla medidora.
- Si está bajo el nivel, abastezca de lubricante el motor hasta que el nivel del fluido alcance la parte superior del área cubierta con rayas entrecruzadas de la varilla.
- Vuelva a colocar la tapa de relleno de aceite/varilla medidora de aceite y asegúrela.

## **PRECAUCIÓN:**

No lo llene excesivamente. Llenar excesivamente el cárter puede producir humo en exceso y daños en el motor.

## ABASTECIMIENTO DEL TANQUE DE GASOLINA

Vea la figura 13.

## **ADVERTENCIA:**

La gasolina y los vapores de la misma son extremadamente inflamables y explosivos. Para evitar lesiones y daños físicos serios, maneje con cuidado la gasolina. Manténgala lejos de fuentes de ignición, manéjela solamente al aire libre, no fume mientras vierta la gasolina y limpie de inmediato cualquier derramamiento que ocurra.

Al abastecer de gasolina la lavadora de presión, asegúrese de que la unidad esté asentada en una superficie horizontal nivelada. Si está caliente el motor, permita que se enfríe la lavadora de presión antes de reabastecerla de gasolina. SIEMPRE llene el tanque al aire libre y teniendo apagada la máquina.

**NOTA:** Use sólo gasolina sin plomo. NO mezcle con lubricante la gasolina.

- Antes de retirar la tapa del combustible, limpie el área circundante de la unidad. Retire la tapa del combustible.
- Introduzca un embudo limpio en el tanque de combustible y después vierta lentamente la gasolina en el tanque. Llene el tanque hasta una altura aproximada de 38 mm (1-1/2 pulg.) abajo de la parte superior del cuello del tanque (para permitir la expansión del combustible).



# FUNCIONAMIENTO

- Vuelva a colocar la tapa del combustible y apriétela firmemente la tapa “déclit”.
- Limpie todo combustible derramado antes de encender la máquina.

## COMBUSTIBLES OXIGENADOS

Algunas gasolinas convencionales están mezcladas con alcohol o con un compuesto de éter. Estas gasolinas se denominan colectivamente combustibles oxigenados. Para satisfacer las normas de limpieza del aire, en algunas áreas geográficas de Estados Unidos y Canadá se usan combustibles oxigenados para reducir las emisiones.

Si va a usar un combustible oxigenado, asegúrese de que no tenga plomo y satisfaga los requisitos relacionados con el octanaje nominal mínimo. Antes de usar un combustible oxigenado, trate de confirmar el contenido del combustible. En algunos estados o provincias se requiere mostrar información en las bombas. A continuación se muestran los porcentajes de combustibles oxigenados aprobados por la EPA (Dirección de Protección Ambiental de EE.UU.):

**Etanol (etilo o alcohol etílico) 10% por volumen.** Puede utilizar gasolina con un contenido de 10% de etanol por volumen. La gasolina con contenido de etanol puede comercializarse con el nombre de “gasohol”. **No use combustible E85.**

**MTBE (éter metilbutílico terciario) 15% por volumen.** Puede utilizar gasolina con un contenido de 15% de MTBE por volumen.

**Metanol (metilo o alcohol metílico) 5% por volumen.** Puede utilizarse gasolina con un contenido de 5% de metanol por volumen, siempre y cuando contenga también cosolventes e inhibidores de corrosión para proteger el sistema de combustible. La gasolina con un contenido superior a 5% de metanol por volumen puede causar problemas en el arranque o en el desempeño del motor.

También puede dañar piezas de metal, caucho (hule) y plástico del producto o del sistema de combustible. Si observa cualquier síntoma de funcionamiento indeseable, pruebe con otra estación de gasolina o cambie de marca de gasolina.

**NOTA:** No están cubiertos en la garantía los problemas de desempeño o daños al sistema de combustible producidos por el uso de un combustible oxigenado con un contenido superior a los porcentajes de alcohol o compuesto de éter señalados anteriormente.

## ENCENDIDO Y APAGADO DE LA LAVADORA DE PRESIÓN

*Vea las figuras 14 a 16.*

### PRECAUCIÓN:

No ponga en marcha la bomba antes de conectar y abrir el suministro de agua.

### Antes de arrancar el motor:

- Conecte todas las mangueras.
- Revise todos los fluidos (lubricante y gasolina).
- Desenrolle la manguera de alta presión del carrete para guardar.
- Abra el grifo del agua y luego oprima gatillo para purgar la presión de aire; mantenga oprimido el gatillo hasta que aparezca un chorro de agua estable.

### Para arrancar el motor:

- Coloque la palanca de la válvula de combustible en posición de encendido.
- Si el motor está frío, mueva la palanca del estrangulador a la posición de cerrado. Al calentar el motor, mueva lentamente la palanca del anegador hasta la posición de abierto.

Si el motor está caliente, deje la palanca del estrangulador en la posición de abierto.

- Aleje la palanca del acelerador de la posición MAX (empujada a la derecha) aproximadamente un tercio de la distancia hacia la posición MIN (empujada a la izquierda).
- Coloque el interruptor del motor en la posición **ON (I)** (Encendido).
- Sujete el arrancador retráctil y tire lentamente hasta que se sienta resistencia. Déle al arrancador retráctil un tirón corto y vigoroso para arrancar el motor.  
**NOTA:** Si no arranca el motor después de que varios tirones, oprima el gatillo para purgar entonces repita el procedimiento normal de arranque.
- Mueva la palanca del acelerador de admisión a la posición MAX una vez que la máquina está funcionando.

### Para apagar el motor:

- Coloque la palanca del acelerador en la posición MIN.
- Coloque el interruptor del motor en la posición **OFF (I)** (Apagado).
- Apague la palanca de la válvula de combustible.

## USO DEL MANGO DEL GATILLO

*Vea las figuras 17 y 18.*

Para mayor control y seguridad, mantenga ambas manos en el mango de gatillo todo el tiempo.

- Para iniciar el chorro de agua, oprima y no suelte el gatillo.
- Para interrumpir el flujo del chorro de agua por la boquilla, suelte el gatillo.

### Para accionar el seguro:

- Suba el seguro hasta dejarlo trabado en la ranura.

### Para quitar el seguro:

- Baje el seguro a su posición original.

Para lograr la limpieza más eficaz, la boquilla rociadora debe estar de 203 a 610 mm (de 8 a 24 pulg.) de la superficie por limpiar. Si está demasiado cerca el chorro, puede dañar la superficie que está limpiándose.

# FUNCIONAMIENTO

## SELECCIÓN DE LA BOQUILLA CORRECTA DE CONEXIÓN RÁPIDA PARA CADA TRABAJO

Vea la figura 19.

Antes de empezar cualquier trabajo de limpieza, determine cuál es la mejor boquilla para el trabajo. Cada una de las boquillas tiene un patrón de rociado diferente. Los patrones de rociado son: 40° (para enjuague suave), 25° (para uso general o para grandes superficies), 15° (para trabajos duros), 0° (para limpieza de manchas o de áreas elevadas) y rociador negro para usar con detergente.



### ADVERTENCIA:

NUNCA cambie boquillas sin trabar el seguro de apagado en el mango de gatillo y NUNCA apunte el rociador hacia su cara o la de otros. La característica de conexión rápida contiene resortes pequeños que pueden expulsar la boquilla con cierta fuerza. La inobservancia de esta advertencia podría causar lesiones personales.

Con el casquillo de conexión rápida es fácil cambiar la boquilla.

### Para conectar una boquilla al mango de gatillo:

- Apague la lavadora de presión y cierre el suministro de agua. Oprima el gatillo para purgar el agua.
- Accione el seguro del mango de gatillo; para ello, suba aquél hasta que se traben en la ranura.
- Tire del collar de conexión rápida.
- Introduzca la boquilla en su lugar en el tubo rociador.
- Empuje del collar adelante para que la boquilla quede correctamente asegurada. Asegúrese de que la boquilla esté asegurada.

### Para desconectar la boquilla del mango de gatillo una vez comenzado el trabajo de limpieza:

- Apague la lavadora de presión y cierre el suministro de agua. Oprima el gatillo para purgar el agua.
- Accione el seguro del mango de gatillo; para ello, suba aquél hasta que se traben en la ranura.
- Para retirar la boquilla, tire hacia atrás el casquillo de conexión rápida, retire la boquilla y, luego, empuje el casquillo nuevamente hacia adelante. Coloque la boquilla en el lugar donde se guardan las boquillas, en la parte superior de la máquina.

## LAVADO CON DETERGENTE

Vea la figura 20.

Use sólo detergentes diseñados para lavadoras de presión; los detergentes caseros, soluciones ácidas, alcalinas, blanqueadores, solventes, materiales inflamables o de grado industrial pueden dañar la bomba. Numerosos detergentes requieren mezclarse antes de usarse. Prepare la solución de limpieza de conformidad con las instrucciones de la botella correspondiente.

- Coloque la manguera de inyección en la parte inferior de la botella o recipiente del detergente.
- Instale la boquilla negra en el tubo rociador.
- Rocíe el detergente en una superficie seca, con pasadas largas uniformes traslapadas. Para evitar la formación de franjas, no permita que seque el detergente en la superficie.

### Antes de apagar el motor:

- Coloque la manguera de inyección en un balde de agua limpia.
- Lávela internamente durante uno o dos minutos (expulse agua limpia por el tubo rociador).
- Apague el motor.

**NOTA:** Apagando el motor — posición ( **O** ) del interruptor — no se purga del sistema la presión interna. Oprima el gatillo para purgar el agua a presión.

## ENJUAGADO CON LA LAVADORA DE PRESIÓN

- Apague la lavadora de presión y cierre el suministro de agua. Oprima el gatillo para purgar el agua.
- Accione el seguro del mango de gatillo; para ello, suba aquél hasta que se traben en la ranura.
- Retire la boquilla del casquillo tirando de la misma.
- Siempre utilice la boquilla adecuada a la tarea:
  - Use la boquilla de presión baja (la verde) para objetos como un coche o un bote.
  - Use la boquilla de presión alta (la roja) para tareas como desprender pintura o desgrasar el camino de entrada. Cuando utilice estas boquillas, pruebe en un área pequeña primero para evitar dañar la superficie.
- Comience por la parte superior por enjuagar y avance hacia abajo, traslapando cada pasada.

## TRASLADO DE LA LAVADORA DE PRESIÓN

Vea la figura 21.

**NOTA:** Nunca alce este producto tomándolo por el mango para transporte.

- Apague la lavadora de presión.
- Levante el mango de manera que los pies queden separados del suelo; luego, empuje la máquina a la posición deseada.

# MANTENIMIENTO

## **ADVERTENCIA:**

Al dar servicio a la unidad, sólo utilice piezas de repuesto idénticas. El empleo de piezas diferentes puede causar un peligro o dañar el producto.

## **ADVERTENCIA:**

Cuando utilice este producto, siempre póngase protección ocular con la marca de cumplimiento de la norma ANSI Z87.1. Si la operación genera mucho polvo, también póngase una mascarilla contra el polvo.

## **ADVERTENCIA:**

Antes de inspeccionar, limpiar o dar servicio a la máquina, apague el motor, espere a que se detengan todas las piezas en movimiento, desconecte el cable de la bujía y aléjelo de ésta. El incumplimiento de cualquiera de estas instrucciones puede causar lesiones serias.

## MANTENIMIENTO GENERAL

Evite el empleo de solventes al limpiar piezas de plástico. La mayoría de los plásticos son susceptibles a diferentes tipos de solventes comerciales y pueden resultar dañados. Utilice paños limpios para eliminar la suciedad, el polvo, el aceite, la grasa, etc.

## **ADVERTENCIA:**

No permita en ningún momento que fluidos para frenos, gasolina, productos a base de petróleo, aceites penetrantes, etc., lleguen a tocar las piezas de plástico. Las sustancias químicas pueden dañar, debilitar o destruir el plástico, lo cual a su vez puede producir lesiones corporales serias.

Solamente las piezas mostradas en la lista de piezas pueden ser reparadas o cambiadas por el consumidor. Todas las piezas restantes deben ser reemplazadas en un centro de servicio autorizado.

## MANTENIMIENTO DE LAS BOQUILLAS

*Vea la figura 22.*

La presión excesiva de la bomba (se siente una sensación de pulsación al estar oprimiendo el gatillo) puede deberse a que la boquilla está tapada o sucia.

- Apague la lavadora de presión y cierre el suministro de agua. Oprima el gatillo para purgar el agua.
- Retire la boquilla del tubo rociador.

**NOTA:** Nunca se apunte el tubo rociador a la cara.

- Con un clip para papel abierto o una herramienta para limpiar boquillas (no viene incluida), libere la boquilla de las obstrucciones producidas por material extraño.

- Con una manguera de jardín expulse de la boquilla toda la basura presente con un contraflujo (haciendo pasar hacia atrás agua por la boquilla, o sea del exterior hacia el interior).
- Vuelva a conectar la boquilla al tubo rociador.
- Abra el suministro de agua y arranque el motor.

## VERIFICACIÓN/AGREGADO DE LUBRICANTE DE LA BOMBA

*Vea la figura 23.*

Verifique el nivel de lubricante de la bomba después de las primeras 50 horas de uso. Para el resto de la vida útil de la lavadora a presión, se debe verificar el nivel de lubricante de la bomba después de cada 100 horas de uso.

**NOTA:** Si observa que hay fuga de lubricante alrededor de los sellos de la bomba, lleve la lavadora a presión a un centro de servicio autorizado para su reparación.

### Para verificar el nivel de lubricante de la bomba:

- Coloque la lavadora a presión sobre una superficie plana.
- Retire la tapa de aceite de la bomba con varilla de nivel, limpie la varilla de nivel y vuelva a asentarla en el agujero; no vuelva a enroscarla.
- Retire nuevamente la varilla de nivel y verifique el nivel de lubricante. El nivel de lubricante debe estar entre los niveles MIN y MAX de la varilla de nivel.
- Si el nivel es bajo, agregue lubricante de la bomba hasta que el nivel del fluido alcance el área MAX de la varilla de nivel.
- Vuelva a colocar la tapa de aceite de la bomba con varilla de nivel y asegúrela.

### Para agregar lubricante de la bomba:

- Desenrosque la tapa de aceite de la bomba con varilla de nivel y retírela.
- Con un embudo, agregue lubricante universal de transmisión para tractores por el orificio de llenado.
- Vuelva a instalar la tapa de aceite con varilla de nivel y asegúrela.

## GUARDADO DE LA LAVADORA DE PRESIÓN

*Vea la figura 24.*

Guarde la lavadora de presión con el tanque de gasolina vacío; para ello, vacíe el tanque o mantenga encendida la máquina hasta agotar el combustible. Permita un período de enfriamiento de 30 minutos antes de guardar la máquina. Guarde la unidad en un lugar seco y cubierto, en el cual no pueda resultar dañada a la intemperie.

Es importante guardar este producto en un área protegida contra la congelación. Siempre vacíe todas las mangueras, la bomba, el tanque de combustible y el balde de detergente antes de guardar la unidad.

# MANTENIMIENTO

**NOTA:** Si utiliza un estabilizador de combustible y un protector de bombas obtendrá un mejor desempeño de la bomba y aumentará la vida de servicio de la máquina.

## **Combustible:**

Drene completamente el tanque de combustible. La gasolina puede echarse a perder en 30 días.

## **Lubricante del motor:**

Drene el lubricante viejo y reemplácelo con lubricante nuevo limpio.

**NOTA:** Consulte las normas de desechos peligrosos de la localidad donde se encuentre para averiguar la forma correcta de desechar el lubricante usado y el combustible viejo.

## **Bujía:**

- Desconecte el cable de la bujía y retire ésta. Vierta cerca de una cucharada chica de lubricante limpio para motor de cuatro tiempos a través del agujero de la bujía, en el interior de la cámara de combustión.
- Teniendo la bujía afuera, tire de la cuerda del arrancador dos o tres veces para recubrir el interior de la pared del cilindro.
- Inspeccione la bujía y límpiela o reemplácela según sea necesario.

- Vuelva a instalar la bujía, pero deje desconectado el cable de la misma.

## **Filtro de aire:**

- Limpie el filtro de aire o reemplácelo con piezas Honda genuinas.

## **Mangueras y bomba:**

Lave interiormente la manguera de inyección con agua limpia durante uno o dos minutos. Retire las mangueras. Vacíe la bomba; para ello, tire del arrancador retráctil seis veces aproximadamente. De esta manera se elimina de la bomba la mayoría del líquido.

## **PREPARACIÓN DE LA UNIDAD PARA USARLA DESPUÉS DE TENERLA GUARDADA**

- Tire del arrancador retráctil tres o cuatro veces para limpiar el lubricante de la cámara de combustión.
- Retire la bujía del cilindro. Limpie el lubricante de la bujía y vuelva a ponerla en el cilindro.
- Vuelva a conectar el cable de la bujía.
- Reabastezca de combustible la máquina de la forma descrita anteriormente en el manual del operador.

# SOLUCIÓN DE PROBLEMAS

PROBLEMA	CAUSE POSSIBLE	SOLUCIÓN
El motor no arranca	<ol style="list-style-type: none"> <li>1. No hay combustible en el tanque</li> <li>2. Falló o tiene corta la bujía</li> <li>3. Se rompió la bujía (se rajó la porcelana o se rompieron los electrodos)</li> <li>4. El cable de ignición tiene corto, está roto o desconectado de la bujía caso</li> <li>5. El sistema de ignición no funciona</li> <li>6. El nivel de lubricante del motor es bajo</li> </ol>	<ol style="list-style-type: none"> <li>1. Reabastezca el tanque</li> <li>2. Reemplace la bujía</li> <li>3. Reemplace la bujía</li> <li>4. Reemplace el cable de ignición o conéctelo a la bujía</li> <li>5. Comuníquese con un centro de servicio autorizado</li> <li>6. Verifique el nivel de lubricante y, si es necesario, agregue lubricante de motor, de la forma descrita anteriormente en este manual</li> </ol>
Cuesta trabajo arrancar el motor	<ol style="list-style-type: none"> <li>1. Hay agua en la gasolina</li> <li>2. Está débil la chispa de la bujía</li> <li>3. La palanca del acelerador del motor está en la posición "MIN"</li> </ol>	<ol style="list-style-type: none"> <li>1. Drene todo el sistema y reabastézcalo con combustible nuevo</li> <li>2. Comuníquese con un centro de servicio autorizado</li> <li>3. Mueva la palanca del acelerador del motor a la posición "MAX"</li> </ol>
Le falta potencia al motor	<ol style="list-style-type: none"> <li>1. Está sucio el filtro de aire</li> </ol>	<ol style="list-style-type: none"> <li>1. Limpie o reemplace el filtro de aire</li> </ol>
El detergente no está mezclándose en el rocío	<ol style="list-style-type: none"> <li>1. La manguera de inyección del detergente no está sumergida correctamente</li> <li>2. La boquilla de alta presión es la que está conectada</li> </ol>	<ol style="list-style-type: none"> <li>1. Introduzca la manguera de inyección en el recipiente o botella del detergente</li> <li>2. Para aplicar el detergente use la boquilla de baja presión (la negra)</li> </ol>
La bomba no genera presión	<ol style="list-style-type: none"> <li>1. La boquilla de baja presión es la que está instalada</li> <li>2. El suministro de agua es inadecuado</li> <li>3. Mango del gatillo o tubo de rociador</li> <li>4. Está tapada la boquilla</li> <li>5. Está defectuosa la bomba</li> <li>6. Aire en el conductor</li> </ol>	<ol style="list-style-type: none"> <li>1. Reemplácela por la boquilla de alta presión</li> <li>2. Suministre un flujo de agua adecuado</li> <li>3. Verifique las conexiones y/o tiene fugas reemplace el mango del gatillo o tubo de rociador</li> <li>4. Limpie la boquilla</li> <li>5. Comuníquese con un centro de servicio autorizado</li> <li>6. Oprima el gatillo el mango del gatillo para eliminar el aire del conductor</li> </ol>
La máquina no alcanza presión alta	<ol style="list-style-type: none"> <li>1. Está demasiado pequeño el diámetro de la manguera de jardín</li> <li>2. Está restringido el suministro de agua</li> <li>3. No hay suficiente agua en la entrada</li> <li>4. Está puesta una boquilla equivocada</li> </ol>	<ol style="list-style-type: none"> <li>1. Reemplácela con una manguera de 19 mm (3/4 pulg.)</li> <li>2. Revise la manguera de jardín para ver si tiene dobleces, fugas o bloqueos</li> <li>3. Abra el suministro de agua a toda su capacidad</li> <li>4. Instale la boquilla de alta presión</li> </ol>



# GARANTÍA

## DECLARACIÓN DE GARANTÍA LIMITADA SIN MOTOR

OWT Industries, Inc. garantiza al comprador inicial de esta lavadora de presión de la marca BLACK MAX® en los Estados Unidos, Canadá o México que la lavadora de presión no presenta defectos en material ni mano de obra, y acuerda reparar o reemplazar, a discreción de OWT Industries, Inc., todo producto defectuoso sin cargo dentro de este período a partir de la fecha de compra:

Dos años si el producto se utiliza para fines personales, familiares o domésticos.

Esta garantía sólo es válida para un comprador inicial y entra en vigencia en el momento en que dicho comprador adquiere el producto.

Toda pieza de este producto que, según el juicio razonable de OWT Industries, Inc., presente defectos en material o mano de obra, será reparada o reemplazada durante el período de garantía, sin cargo por repuestos o mano de obra, por un centro de servicio autorizado para las lavadoras de presión de la marca BLACK MAX® (Centro de servicio autorizado de BLACK MAX®).

El producto, incluida toda pieza defectuosa, debe ser enviado a un centro de servicio autorizado de BLACK MAX® dentro del periodo de garantía. El propietario afrontará el gasto que implique el envío del producto al centro de servicio para que se le realice el trabajo cubierto y el reenvío al propietario una vez que la pieza haya sido reparada o reemplazada. La responsabilidad de OWT Industries, Inc. en relación a los reclamos de garantía está limitada a las reparaciones o reemplazos solicitados y ningún reclamo que alegue la violación de garantía será causa de cancelación o anulación del contrato de venta de cualquier lavadora de presión de la marca BLACK MAX®.

**GUARDE LOS RECIBOS DE VENTA.** Se le solicitará que presente un comprobante de compra para respaldar cualquier reclamo de garantía. Todos los trabajos cubiertos por la garantía deberán realizarse en un centro de servicio autorizado de BLACK MAX®.

Esta garantía no cubre ningún producto que haya estado sujeto a maltratos, abusos, negligencia o accidentes, o que se utilice a efecto de alquilarlo o de comercializarlo, o que se haya utilizado de forma contraria a las instrucciones de funcionamiento descritas en el manual del operador. Esta garantía no se aplica a ningún daño del producto que se produzca por el desgaste normal, por alteraciones, por modificaciones, por un mantenimiento inadecuado, por el uso de repuestos no autorizados o por un servicio realizado por alguien que no sea del centro de servicio autorizado de BLACK MAX®.

Además, esta garantía no cubre:

A. Afinados: filtros de aire, filtros de gas, bujías.

B. Motor: su producto está equipado con un motor que está cubierto exclusivamente por una garantía distinta de la el fabricante del motor. Consulte el manual del motor incluido con el producto para obtener información de la garantía en relación con el motor.

C. Piezas desgastables: mangueras, accesorios de conexión, boquillas rociadoras, ruedas, tubo rociador, cubo de detergente, tanque de detergente.

OWT Industries, Inc. se reserva el derecho a cambiar o mejorar el diseño de cualquier lavadora de presión de marca BLACK MAX® sin asumir obligación alguna de modificar cualquier producto fabricado anteriormente.

TODAS LAS GARANTÍAS IMPLÍCITAS ESTÁN LIMITADAS A LA DURACIÓN DEL PERIODO DE GARANTÍA ESTABLECIDO. SE RENUNCIA A LA TOTALIDAD DE CUALQUIERA DE DICHAS GARANTÍAS IMPLÍCITAS INCLUIDA LA DE COMERCIALIZACIÓN Y APTITUD PARA UN OBJETIVO PARTICULAR, EN LA MEDIDA QUE LO PERMITA LA LEY APLICABLE. OWT INDUSTRIES, INC. NO ASUME RESPONSABILIDAD ALGUNA POR DAÑOS O PERJUICIOS DERIVADOS DEL MALTRATO U OTROS DAÑOS. LA OBLIGACIÓN DE OWT INDUSTRIES, INC. SEGÚN ESTA GARANTÍA ESTÁ LIMITADA ESTRICTA Y EXCLUSIVAMENTE A LA REPARACIÓN O REEMPLAZO DE PIEZAS DEFECTUOSAS Y OWT INDUSTRIES, INC. NO ASUME NINGUNA OTRA OBLIGACIÓN NI AUTORIZA A OTRA PARTE A QUE LO HAGA EN SU NOMBRE. ALGUNOS ESTADOS NO PERMITEN LIMITACIONES SOBRE LA DURACIÓN DE UNA GARANTÍA IMPLÍCITA O LA EXCLUSIÓN O LIMITACIÓN DE DAÑOS INCIDENTALES O CONSECUENTES; POR ESTO, ES POSIBLE QUE LAS LIMITACIONES ANTERIORMENTE MENCIONADAS NO SE APLIQUEN A SU CASO.

Esta garantía le proporciona derechos legales específicos. Es posible que tenga otros derechos que varían de estado a estado.

Para localizar su centro de servicio autorizado de BLACK MAX®, llame al 1-800-726-5760.

## NOTES / NOTAS





**4000 PSI PRESSURE WASHER**  
**NETTOYEUR HAUTE PRESSION DE 4000 PSI**  
**LAVADORA A PRESIÓN DE 4000 PSI**  
**BM80917**

**OPERATOR'S MANUAL**

**MANUEL D'UTILISATION**  
**MANUAL DEL OPERADOR**

**! WARNING:**

The engine exhaust from this product contains chemicals known to the State of California to cause cancer, birth defects, or other reproductive harm.

**CALIFORNIA PROPOSITION 65**

**! AVERTISSEMENT :**

Les gaz d'échappement de ce produit contiennent des produits chimiques identifiés par l'état de Californie comme causes de cancer, de malformations congénitales et d'autres troubles de l'appareil reproducteur.

**PROPOSITION 65 DE L'ÉTAT DE CALIFORNIE**

**! ADVERTENCIA:**

Las emanaciones provenientes del escape del motor de este producto contienen sustancias químicas reconocidas por el estado de California como causantes de cáncer, defectos congénitos y otras afecciones del aparato reproductor.

**CALIFORNIA - PROPUESTA DE LEY NÚM. 65**

**SERVICE**

For parts or service, contact your nearest authorized service dealer. Be sure to provide all relevant information when you call or visit. For the location of the authorized service dealer nearest you, please call 1-800-726-5760.

**REPAIR PARTS**

The model number of this product is found on a plate or label attached to the housing. Please record the serial number in the space provided below.

**MODEL NO.** \_\_\_\_\_

**SERIAL NO.** \_\_\_\_\_

• • • • •

**DÉPANNAGE**

Pour tout entretien ou réparation du produit, contacter le centre de réparations agréé le plus proche. Veiller à fournir toutes les informations pertinentes lors de tout appel téléphonique ou visite. Pour obtenir l'adresse du centre de réparations agréé le plus proche, téléphoner au 1-800-726-5760.

**PIÈCES DE RECHANGE**

Le numéro de modèle se trouve sur une plaquette ou étiquette placée sur le bâti. Noter le numéro de série dans l'espace ci-dessous.

**NUMÉRO DE MODÈLE** \_\_\_\_\_

**NUMÉRO DE SÉRIE** \_\_\_\_\_

• • • • •

**SERVICIO**

Para obtener piezas o servicio, comuníquese con el centro de servicio autorizado de más cercano. Asegúrese de proporcionar todos los datos pertinentes al llamar o al presentarse personalmente. Para obtener información sobre el establecimiento de servicio autorizado más cercano a usted, le suplicamos llamar al 1-55-5565-1414 (Mexico) o 1-800-726-5760 (USA).

**PIEZAS DE REPUESTO**

El número de modelo de este producto se encuentra en una placa o etiqueta pegada a la caja del motor. Le recomendamos anotar el número de serie en el espacio suministrado abajo.

**NÚMERO DE MODELO** \_\_\_\_\_

**NÚMERO DE SERIE** \_\_\_\_\_

**OWT INDUSTRIES, INC.**

P.O. Box 35, Highway 8  
 Pickens, SC 29671 USA  
 1-800-726-5760  
 www.blackmaxtools.com